

RLW & AMG – Return Louvers & Grilles

Model: RLW

RLW grilles are designed for return and exhaust air applications and are complete with 29mm wide blade spacing. Removable and hinged core sections are available for easy access to dampers and removable filter where fitted (Filter non-standard).

All components are manufactured in long lasting maintenance free aluminium extrusion.

Sizes

- RLW maximum one-piece construction size is 2000x2000mm. Larger sizes can be made in multiple sections.
- RLWFR maximum one-piece construction size is 1200x1200mm. Larger sizes can be made in multiple sections.

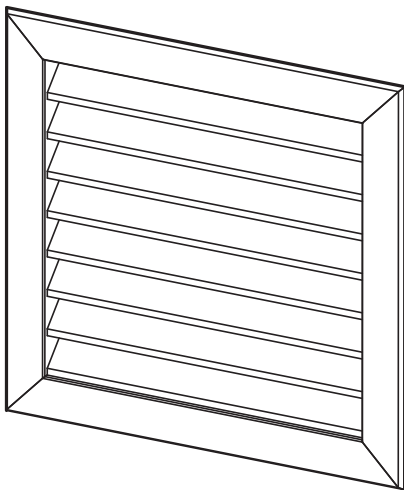
Accessories

OBD - Opposed Blade Damper.

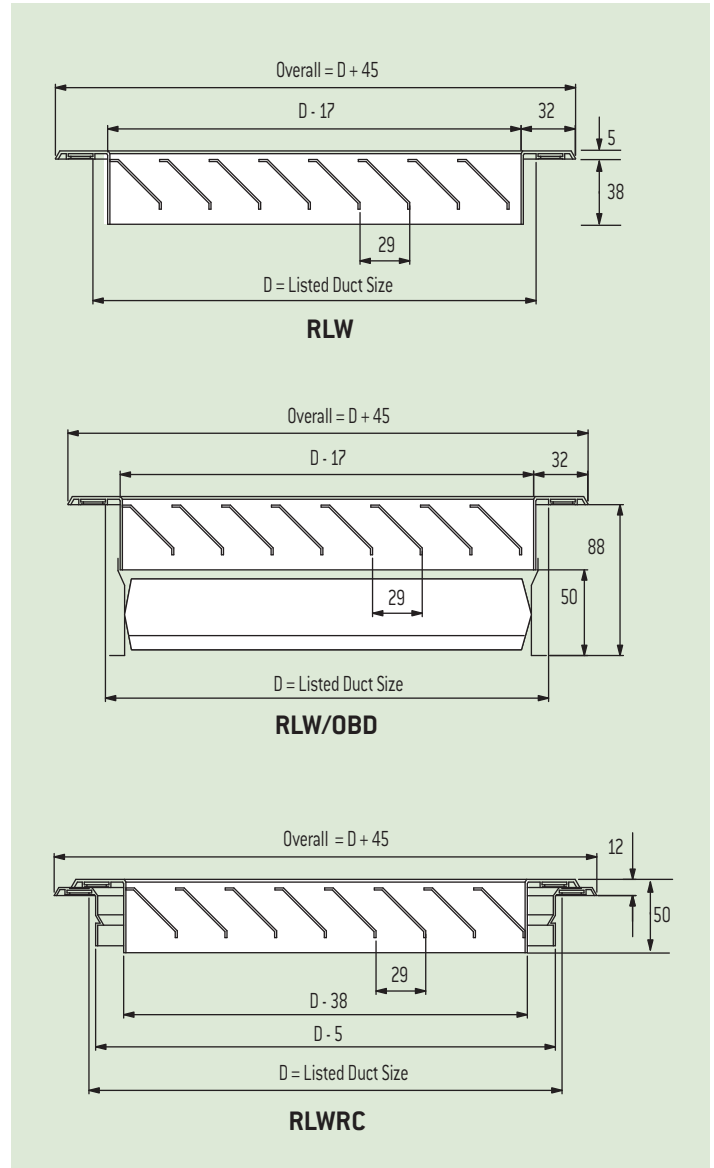
Product Codes

RLWL - Return Louver Wide Spacing – Blades parallel to long dimension.
 RLWS - Return Louver Wide Spacing – Blades parallel to short dimension.
 RLW/OBD - Return Louver Wide Spacing with Opposed blade Damper.
 RLWRC - Return Louver Wide Spacing with Removable Core.
 RLWFR – Return Louver Wide Spacing with Filtered Hinged Frame.

Contact your local Holyoake branch for dimensional details.



RLW



Model: AMG

AMG Grilles can be used in simple return, or exhaust applications. The AMG consists of an aluminium flanged surround and a aluminium diamond mesh core (35mm x 15mm pattern). The AMG can be supplied with a removable core.

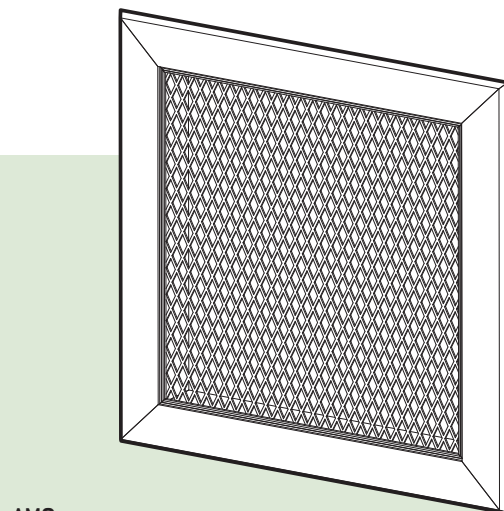
Product Codes

- AMG – Standard Aluminium Mesh Grille.
- AMG/OBD – Aluminium Mesh Grille with opposed blade damper.
- AMGRC – Aluminium Mesh Grille with Removable Core.
- AMGFR – Aluminium Mesh Grille with Filtered Hinged Frame.

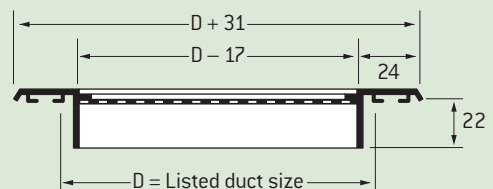
Steel mesh is available as an option.

Consult your local Holyoake branch for further information.

Option: 40mm flanged surround (Excluding FR Models).



AMG



AMG – Performance Data

Model: **AMG**

NC 20

CORE AREA m ²	NOMINAL SIZE (mm)	CORE VEL. m/s	2.02	2.49	2.83	3.40	3.82	4.31	4.76	5.27	5.88	7.12
		VEL. PRESS	3.0	4.2	6.1	8.5	11.1	14.3	17.4	21.1	24.7	37.2
		NEG. SP	8	12	16	23	29	37	45	54	65	88
0.014	185x100 145x125	m ³ /s	0.035	0.042	0.051	0.060	0.069	0.078	0.086	0.095	0.102	0.126
		NC	-	-	-	-	-	-	15	17	20	22
0.017	220x100 145x150 175x125	m ³ /s	0.044	0.053	0.063	0.075	0.086	0.097	0.107	0.118	0.128	0.158
		NC	-	-	-	-	-	-	15	17	20	22
0.020	260x100 170x150 205x125	m ³ /s	0.053	0.063	0.076	0.090	0.103	0.117	0.129	0.142	0.154	0.189
		NC	-	-	-	-	-	-	15	18	20	23
0.028	355x100 225x150 275x125	m ³ /s	0.071	0.084	0.102	0.120	0.137	0.156	0.172	0.189	0.205	0.252
		NC	-	-	-	-	-	-	15	19	21	23
0.032	405x100 260x150 315x125	m ³ /s	0.076	0.090	0.108	0.128	0.147	0.167	0.184	0.202	0.219	0.270
		NC	-	-	-	-	-	-	15	19	21	23
0.036	450x100 290x150 350x125 215x200	m ³ /s	0.081	0.096	0.116	0.137	0.157	0.178	0.196	0.216	0.234	0.288
		NC	-	-	-	-	-	-	15	20	21	25
0.043	535x100 340x150 415x125 250x200	m ³ /s	0.097	0.117	0.139	0.165	0.185	0.210	0.232	0.255	0.275	0.331
		NC	-	-	-	-	-	15	15	20	22	25
0.048	595x100 380x150 460x125	m ³ /s	0.114	0.138	0.161	0.192	0.213	0.241	0.268	0.293	0.316	0.373
		NC	-	-	-	-	-	15	15	20	22	26
0.056	695x100 440x150 260x250 535x125 325x200	m ³ /s	0.118	0.143	0.167	0.199	0.220	0.249	0.277	0.303	0.326	0.384
		NC	-	-	-	-	-	15	15	20	22	26
0.064	790x100 500x150 290x250 610x125 370x200	m ³ /s	0.135	0.165	0.191	0.228	0.254	0.287	0.318	0.350	0.382	0.455
		NC	-	-	-	-	15	16	18	21	23	28
0.075	920x100 580x150 340x250 715x125 425x200	m ³ /s	0.153	0.187	0.214	0.257	0.287	0.324	0.359	0.396	0.438	0.527
		NC	-	-	-	-	15	18	21	25	28	30
0.084	1025x100 650x150 380x250 795x125 475x200 300x300	m ³ /s	0.170	0.209	0.238	0.286	0.321	0.362	0.400	0.443	0.494	0.598
		NC	-	-	-	15	18	21	25	30	33	35
0.099	1210x100 765x150 365x300 930x125 440x250	m ³ /s	0.196	0.243	0.275	0.332	0.388	0.427	0.475	0.523	0.578	0.709
		NC	-	-	-	15	18	21	25	30	33	35
0.110	845x150 490x250 345x350 620x200 405x300	m ³ /s	0.227	0.284	0.325	0.388	0.443	0.504	0.564	0.618	0.679	0.754
		NC	-	-	-	16	19	22	26	31	33	35
0.124	1510x100 950x150 390x350 1165x125 455x300	m ³ /s	0.255	0.317	0.362	0.436	0.494	0.559	0.629	0.692	0.762	0.881
		NC	-	-	15	18	21	25	30	33	35	37
0.149	1810x100 655x250 465x350 830x200 545x300 405x400	m ³ /s	0.312	0.384	0.435	0.532	0.595	0.670	0.718	0.792	0.876	1.054
		NC	-	-	16	20	23	26	32	35	37	39
0.167	1275x150 930x200 605x300 455x400 735x250 520x350	m ³ /s	0.346	0.424	0.489	0.593	0.646	0.729	0.808	0.891	0.986	1.186
		NC	-	-	18	21	25	27	33	36	39	41
0.193	1070x200 700x300 520x400 845x250 595x350 465x450	m ³ /s	0.397	0.484	0.569	0.685	0.770	0.869	0.960	1.063	1.186	1.435
		NC	-	16	20	23	26	32	35	37	39	42
0.228	1730x150 820x300 610x400 1260x200 700x350 54x500	m ³ /s	0.412	0.510	0.578	0.697	0.815	0.897	0.998	1.098	1.214	1.489
		NC	-	18	21	25	27	33	36	39	41	43
0.258	930x300 690x400 550x500 790x350 610x450	m ³ /s	0.522	0.653	0.748	0.892	1.019	1.159	1.297	1.421	1.562	1.734
		NC	-	18	21	25	27	33	36	39	41	43
0.289	1040x300 775x400 615x500 1255x250 885x350 685x450	m ³ /s	0.603	0.750	0.856	1.031	1.168	1.322	1.488	1.637	1.802	2.084
		NC	15	19	22	26	27	33	37	40	42	44
0.335	1845x200 1200x300 790x450 1455x250 890x400 590x600	m ³ /s	0.671	0.826	0.935	1.144	1.279	1.441	1.544	1.703	1.883	2.266
		NC	15	20	23	26	27	33	38	41	43	45
0.399	1215x350 845x500 940x450 700x600	m ³ /s	0.834	1.016	1.195	1.439	1.618	1.824	2.016	2.233	2.490	3.014
		NC	16	21	24	27	28	34	39	42	44	46
0.432	1870x250 910x500 1145x400 755x600	m ³ /s	0.906	1.123	1.271	1.534	1.793	1.973	2.195	2.416	2.670	3.276
		NC	17	22	25	28	29	34	39	42	45	47
0.518	1850x300 1215x450 1575x350 905x600	m ³ /s	1.096	1.372	1.570	1.874	2.140	2.434	2.724	2.985	3.280	3.642
		NC	18	23	26	29	30	35	39	43	46	48
0.581	1760x350 1220x500 1535x400	m ³ /s	1.327	1.649	1.883	2.269	2.570	2.908	3.273	3.600	3.965	4.584
		NC	20	25	27	29	30	35	40	43	46	49

NC 30

NC 40

• Neg. SP is negative static pressure.

• NC values are based on room absorption of 10 db, re 10⁻¹² watts.

• All pressures are in pascals.

• Heavy dividing lines denote ranges of NC values.

Return & Exhaust Grilles

Grille Description Code Examples and Suggested Specifications

RLW – **[L S]** – **[RC FR]** – **OBD** – **W x H** – **FINISH**

Return Louver Wide.

Blades Parallel to long, or short dimension.

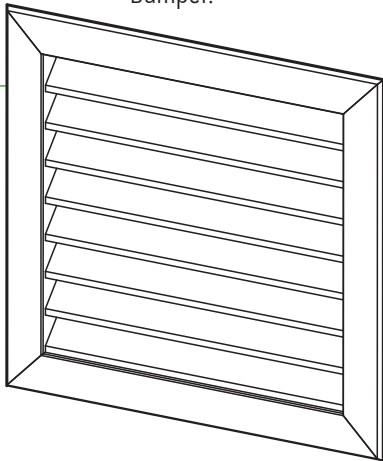
Frame Style (Removeable Core, or Filter Return).

Opposed Blade Damper.

Width x Height 'Nominal Size' (Duct, or Trimmed Hole).

Holyoake White. Mill Aluminium. Powder Coat.

Return and/or exhaust louvers shall be of extruded aluminium, rattle-free construction, of the model shown on the drawings, or elsewhere in this specification. Blades shall be mechanically locked to mullions and frames. Frames shall have close mitred corners, reinforced and secured with aluminium gussets. Filter returns, where specified, shall be of similar construction, mounted in a hinged subframe and held closed with a positive latch. Filters are 'EU2' washable type. All shall be as manufactured by Holyoake.



Guide Product Weights	
Approximate Weight in Kg.	
Size	RLW
300 x 300	2
500 x 500	11
900 x 900	22

AMG – **[RC FR]** – **OBD** – **W x H** – **FINISH**

Aluminium Mesh Grille.


Frame Style (Removeable Core, or Filter Return).

Opposed Blade Damper.

Width x Height 'Nominal Size' (Duct, or Trimmed Hole).

Holyoake White. Mill Aluminium. Powder Coat.

Return and/or exhaust Grilles shall be an aluminium frame with aluminium mesh core. They shall be of rattle-free construction, of the model shown on the drawings, or elsewhere in this specification. Frames shall have close mitred corners, reinforced and secured with aluminium gussets. Filter returns, where specified, shall be of similar construction, mounted in a hinged subframe and held closed with a positive latch. Filters are 'EU2' washable type. All shall be as manufactured by Holyoake.



Guide Product Weights	
Approximate Weight in Kg.	
Size	AMG
200 x 200	0.38
300 x 300	0.58
500 x 500	1.05

Note

When ceiling mounted, seismic restraints may be required, but are not supplied.