

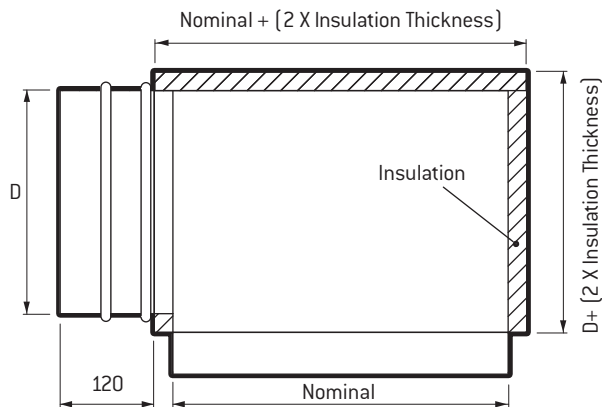
ACCESSORIES – Cushion Head/Duct Tape

Model: CH – Cushion Head

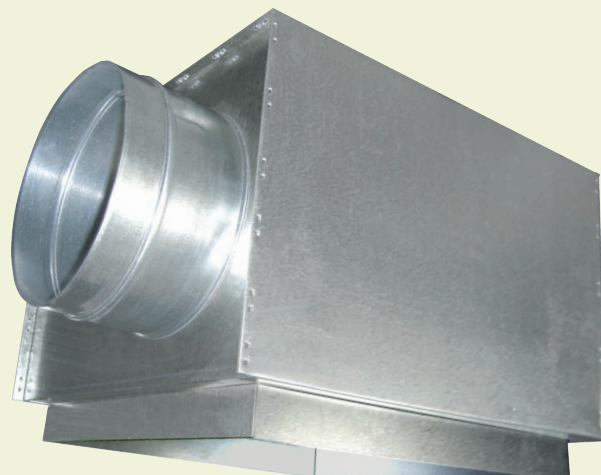
Adapts square neck diffusers and return grilles to a side entry round flexible, semi rigid, or rigid duct. Can be supplied plain or with a black polyester insulation.

Material: 0.55 Galvanised Steel

Insulation Options: 14, 25 or 50 mm



Cushion Head Box



Guide Product Weights

Approximate Weight in Kg.

Size	Inc 25 mm Insulation	Size	Inc 25 mm Insulation
CRS 300	4.00	225 SQ CH	2.50
CRS 450	6.50	300 SQ CH	4.00
CSS 450	6.50	375 SQ CH	5.00
CSS 600	6.50	450 SQ CH	6.50
595 SQ T Rail	6.50	595 SQ CH	6.50
CSSR Plenum 615 Diameter			3.20

Ordering Code Examples and Suggested Specification

CH	-	CRS CSS CFP CFPP	-	P I	-	14 25 50	-	150 200 250	-	W x H
Cushion Head.		Product Type.		Plain, or Insulated.		Insulation Thickness.		Duct Connection Inlet Size.		Nominal Diffuser, or Grille Neck Size.

Holyoake Cushion Head boxes shall be constructed from galvanised steel and be complete with suitably sized galvanised steel connection spigots and accessories, as appropriate. Optional black polyester insulation, 14, 25, or 50 mm thick can be incorporated.

All as manufactured by Holyoake.

Note: Refer to page 386K for Premi-aire Cushion Heads boxes.

Model: DUCT TAPE

A Premium Grade Polyethylene coated cloth duct tape with a high tack rubber adhesive system.

Colour: Silver

Width: 48 mm

Roll Length: 55 m

Features:

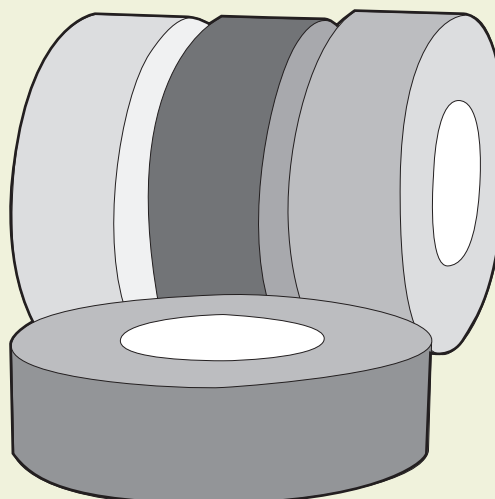
- Conforms easily to difficult shapes.
- Strong permanent bond.
- High Tensile (and tearing) strength.
- Will not curl.

Duct Tape is primarily intended for sealing H.V.A.C. duct joints* and for wrapping insulated pipes as a vapour barrier and as protection against impact and other damage. It is also used in packaging where a strong moisture barrier is required.

Available as single, or multiple rolls, or cartons of 24.

Approximate weight 0.91 Kg per roll, 24 Kg per box.

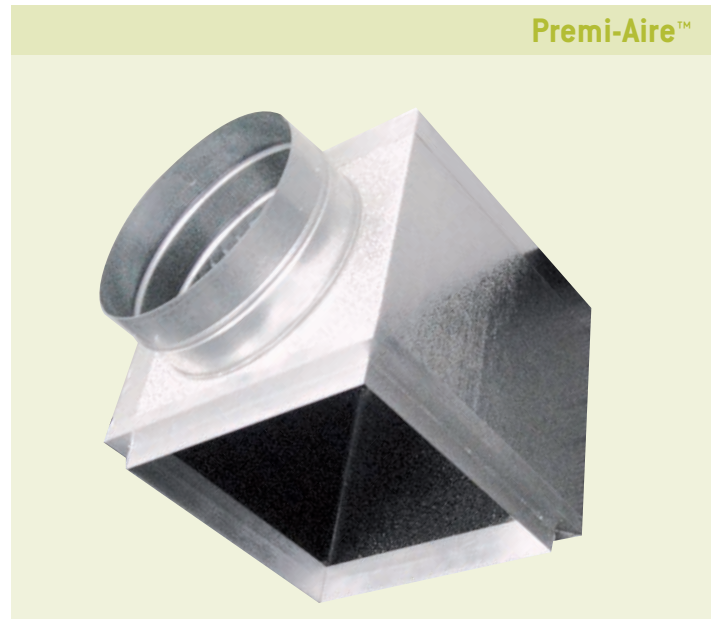
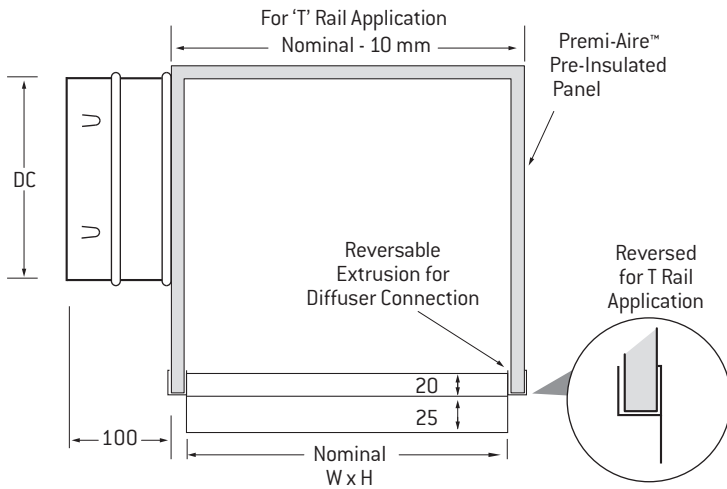
*** You should also use duct ties or a mechanical fixing as per AS 4254.1 - 2012 (refer to pages 357J, 360J and 385K).**



ACCESSORIES – Premi-Aire™ Cushion Head

Model: **Series Premi-Aire™**

Pre-Insulated Cushion Head, Plenum & Adaptor Boxes.



The Premi-Aire™ range adapts ceiling swirl, multi pattern, square neck diffusers, return grilles, linear diffusers and other applications to a side or top entry, round, oval or square/ rectangular spigot connection/or proprietary Duct Flange connecting arrangement.

Options

Applications for the Holyoake Premi-Aire™ include Cushion Head, plenum, and adaptor boxes.

Product Range

Square neck, adaptor boxes, supply and return plenums and other special arrangements are available. Please contact your local Holyoake branch for details.

Holyoake's Premi-Aire™ pre-insulated box system offers installers and specifiers many benefits:-

Features

- Ultra light weight, robust, and strong design.
- Easy to install.
- High thermal resistance and lower pressure drop.
- Certified to AS/NZS 1530.3 (0, 0, 0, 0-1).
- Range of spigot and duct flange options.
- Aesthetically pleasing black internal foil face.

Material

Manufactured in a sandwich panel construction, a layer of fire proof rigid closed cell foam, is laminated both sides with aluminium foil, silver external and black internal.

Ordering Code Examples and Suggested Specification

PREMI -CH

Premi-Aire™
Cushion Head.

–

CRS
CSS
CFP
CFPP

Product Type.

–

DC

Duct Connection,
(Dia/Oval/Square
Rect/Duct Flange).

–

W x H

Nominal Diffuser,
(or Grille Neck Size).

Specification

The Premi-Aire™ Cushion Head boxes shall be constructed from aluminium foil laminated silicate modified fire proof rigid Polyurethane and be complete with galvanised steel connection spigots and accessories, as appropriate.

All as manufactured by Holyoake.

Please refer to page 388K for product weights.