

RL – Exhaust & Return Grilles

Model: RLL-25

Features one set of fixed curved blades parallel to long dimension, 12.5 centres & 30°.

Model: RLL-25/OBD

Features one set of fixed curved blades parallel to long dimension, 12.5 centres & 30° and an attached opposed blade damper.

Model: RLL-23

Similar to RLL-25, but with blades set at 20mm spacing.

Model: RLL-23/OBD

Similar to RLL-25/OBD, but with blades set at 20mm spacing.

Guide Product Weights	
Approximate Weight in Kg.	
Size	RLL23RCEN
195 x 195	0.69

Model: RLHL**

Features one set of 45° fixed blades parallel to long dimension, set at 20mm spacing.

Guide Product Weights	
Approximate Weight in Kg.	
Size	RLHL-EN
395 x 195	1.07

Model: RLHL/OBD**

Similar to RLHL, but with opposed blade damper attached.

**Suitable for Passive Ventilation (Do not exceed core velocity of 2.5m/sec).

Model: RLS-25

Features one set of fixed curved blades parallel to short dimension, 12.5 centres & 30°.

Model: RLS-25/OBD

Features one set of fixed curved blades parallel to short dimension, 12.5 centres & 30° and an attached opposed blade damper.

Model: RLS-23

Similar to RLS-25, but with blades set at 20mm spacing.

Model: RLS-23/OBD

Similar to RLS-25/OBD, but with blades set at 20mm spacing.

Model: RLHS**

Features one set of 45° fixed blades parallel to short dimension, set at 20mm spacing.

Model: RLHS/OBD**

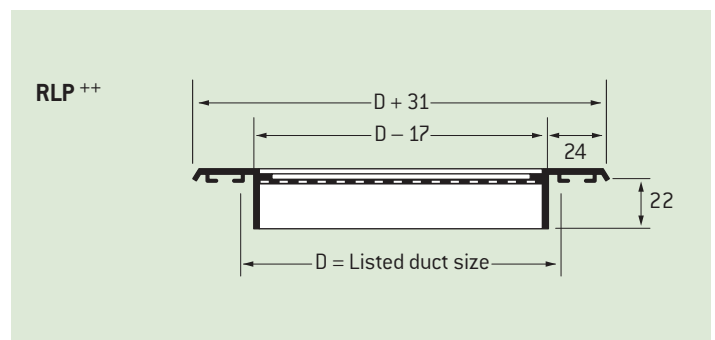
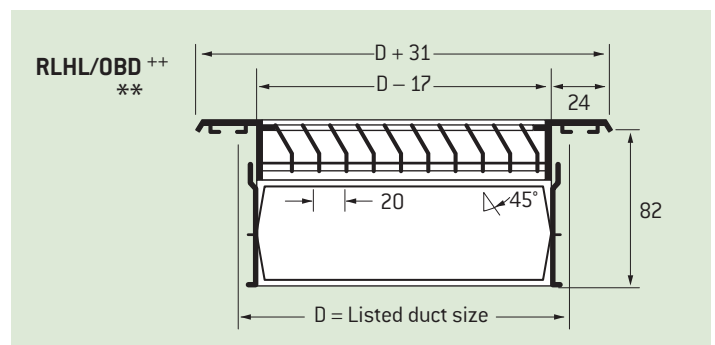
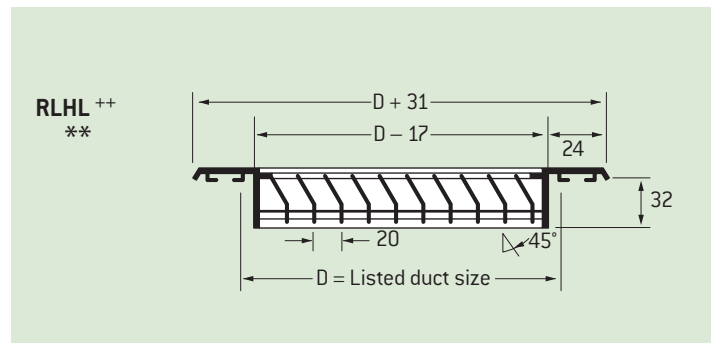
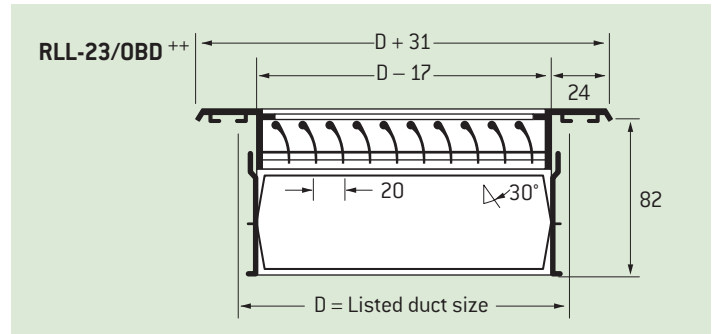
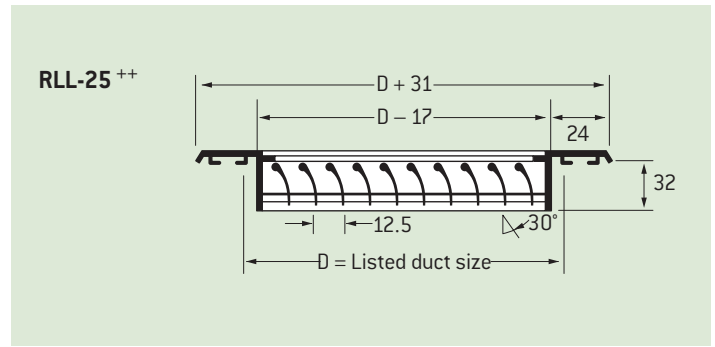
Similar to RLHS, but with opposed blade damper attached.

Option: 40mm flanged surround.
++ (Excluding FR Models).

Model: RLP

Perforated face return, or exhaust grille.

Guide Product Weights	
Approximate Weight in Kg.	
Size	RLP
595 x 595	1.98



Model: RL25

CORE AREA m ²	NOMINAL SIZE(mm)	CORE VEL. m/s	NC 20 NC 30									
			1.02	1.28	1.53	1.79	2.04	2.55	3.06	3.57	4.08	4.59
			VEL. PRESS	1	1	2	2	3	4	6	8	10
		NEG. SP	5	8	11	15	19	29	41	56	73	93
0.014	185 x 100	m ³ /s	0.014	0.017	0.021	0.025	0.028	0.035	0.042	0.050	0.057	0.064
	145 x 125	NC	-	-	-	-	-	13	20	26	31	36
0.017	220 x 100 145 x 150	m ³ /s	0.017	0.021	0.025	0.030	0.034	0.042	0.051	0.059	0.068	0.076
	175 x 125	NC	-	-	-	-	-	14	22	28	33	37
0.020	260 x 100 170 x 150	m ³ /s	0.021	0.026	0.031	0.036	0.042	0.052	0.062	0.073	0.083	0.093
	205 x 125	NC	-	-	-	-	-	16	23	29	34	39
0.024	305 x 100 195 x 150	m ³ /s	0.025	0.031	0.037	0.043	0.049	0.061	0.074	0.086	0.098	0.110
	240 x 125	NC	-	-	-	-	-	17	24	30	35	40
0.028	355 x 100 225 x 150	m ³ /s	0.028	0.035	0.042	0.050	0.057	0.071	0.085	0.099	0.113	0.127
	275 x 125	NC	-	-	-	-	-	18	25	31	36	41
0.032	405 x 100 260 x 150	m ³ /s	0.032	0.040	0.048	0.056	0.064	0.080	0.096	0.112	0.128	0.144
	315 x 125	NC	-	-	-	-	10	19	26	32	37	42
0.036	450 x 100 290 x 150	m ³ /s	0.037	0.046	0.055	0.065	0.074	0.092	0.110	0.129	0.147	0.166
	350 x 125 215 x 200	NC	-	-	-	-	11	20	27	33	38	43
0.043	535 x 100 340 x 150	m ³ /s	0.043	0.054	0.065	0.076	0.087	0.109	0.130	0.152	0.174	0.195
	415 x 125 250 x 200	NC	-	-	-	-	13	21	28	34	40	44
0.048	595 x 100 380 x 150	m ³ /s	0.049	0.061	0.074	0.086	0.098	0.123	0.147	0.172	0.196	0.221
	460 x 125	NC	-	-	-	-	13	22	29	35	40	45
0.056	695 x 100 440 x 150 260 x 250	m ³ /s	0.057	0.071	0.085	0.099	0.113	0.142	0.170	0.198	0.227	0.255
	535 x 125 325 x 200	NC	-	-	-	-	14	23	30	36	42	46
0.064	790 x 100 500 x 150 290 x 250	m ³ /s	0.065	0.082	0.098	0.114	0.130	0.163	0.195	0.228	0.260	0.293
	610 x 125 370 x 200	NC	-	-	-	-	15	24	31	37	43	47
0.075	920 x 100 580 x 150 340 x 250	m ³ /s	0.076	0.095	0.115	0.134	0.153	0.191	0.229	0.268	0.306	0.344
	715 x 125 425 x 200	NC	-	-	-	11	17	25	32	39	44	48
0.084	1025 x 100 650 x 150 380 x 250	m ³ /s	0.085	0.106	0.127	0.149	0.170	0.212	0.255	0.297	0.340	0.382
	795 x 125 475 x 200	NC	-	-	-	11	17	26	33	39	45	49
0.099	1210 x 100 765 x 150 365 x 300	m ³ /s	0.101	0.126	0.152	0.177	0.202	0.253	0.303	0.354	0.404	0.455
	930 x 125 440 x 250	NC	-	-	-	13	19	27	35	41	46	50
0.110	845 x 150 490 x 250 345 x 350	m ³ /s	0.111	0.139	0.167	0.195	0.223	0.278	0.334	0.390	0.446	0.501
	620 x 200 405 x 300	NC	-	-	-	13	19	28	35	41	46	51
0.124	1510 x 100 950 x 150 390 x 350	m ³ /s	0.126	0.158	0.190	0.221	0.253	0.316	0.379	0.443	0.506	0.569
	1165 x 125 455 x 300	NC	-	-	-	14	20	29	36	42	47	52
0.149	1810 x 100 655 x 250 465 x 350	m ³ /s	0.151	0.189	0.227	0.264	0.302	0.378	0.453	0.529	0.604	0.680
	830 x 200 545 x 300 405 x 400	NC	-	-	-	16	22	30	37	43	49	53
0.167	930 x 200 605 x 300 455 x 400	m ³ /s	0.170	0.212	0.255	0.297	0.340	0.425	0.510	0.595	0.680	0.764
	1275 x 150 735 x 250 520 x 350	NC	-	-	11	16	22	31	38	44	50	54
0.193	1070 x 200 700 x 300 520 x 400	m ³ /s	0.196	0.245	0.294	0.344	0.393	0.491	0.589	0.687	0.785	0.883
	845 x 250 595 x 350 465 x 450	NC	-	-	12	18	24	32	39	45	51	55
0.228	1730 x 150 820 x 300 610 x 400	m ³ /s	0.231	0.289	0.347	0.404	0.462	0.578	0.694	0.809	0.925	1.040
	1260 x 200 700 x 350 540 x 450	NC	-	-	13	19	25	33	41	47	52	56
0.258	930 x 300 690 x 400 550 x 500	m ³ /s	0.262	0.328	0.394	0.459	0.525	0.656	0.787	0.918	1.050	1.180
	790 x 350 610 x 450	NC	-	-	14	20	26	34	41	47	53	57
0.289	1040 x 300 775 x 400 615 x 500	m ³ /s	0.294	0.367	0.440	0.513	0.587	0.734	0.881	1.030	1.170	1.320
	1255 x 250 885 x 350 685 x 450	NC	-	-	15	20	26	35	42	48	54	58
0.335	1845 x 200 1200 x 300 795 x 450	m ³ /s	0.341	0.426	0.511	0.596	0.681	0.852	1.020	1.190	1.360	1.530
	1455 x 250 890 x 400 590 x 600	NC	-	10	16	21	28	36	43	49	55	59
0.399	1215 x 350 845 x 500	m ³ /s	0.405	0.506	0.607	0.708	0.810	1.010	1.220	1.420	1.620	1.870
	940 x 450 700 x 600	NC	-	12	18	23	29	38	45	51	56	60
0.432	1870 x 250 910 x 500	m ³ /s	0.439	0.548	0.658	0.768	0.878	1.000	1.320	1.540	1.760	1.980
	1145 x 400 755 x 600	NC	-	12	18	23	29	38	45	51	56	61
0.518	1850 x 300 1221 x 450	m ³ /s	0.527	0.658	0.790	0.922	1.050	1.320	1.580	1.840	2.110	2.370
	1575 x 350 905 x 600	NC	-	13	19	25	31	39	47	53	58	62
0.581	1760 x 350 1220 x 500	m ³ /s	0.590	0.737	0.885	1.030	1.180	1.480	1.770	2.060	2.360	2.650
	1535 x 400	NC	-	14	20	26	32	40	47	53	59	63

NC 40

NC 50

NC 60

Return & Exhaust Grilles

- Neg. SP is negative static pressure.
- All pressures are in pascals.
- NC values are based on room absorption of 10 db, re 10⁻¹² watts.
- Heavy dividing lines denote ranges of NC values.

Models: **RL23** and **RLHL** **

CORE AREA m ²	NOMINAL SIZE(mm)	CORE VEL. m/s	NC 20										NC 30			NC 40						
			2.04	2.55	3.06	3.57	4.08	4.59	5.00	5.50	6.10	6.60	10	13	16	19	23	31				
			VEL. PRESS	3	4	6	8	10	13	16	19	23	31	29	37	45	54	65	88			
		NEG. SP	8	12	16	23	29	37	45	54	65	88										
0.014	185 x 100	m ³ /s	0.028	0.035	0.042	0.050	0.057	0.064	0.071	0.078	0.085	0.092										
	145 x 125	NC				15	20	25	29	33	36	39										
0.017	220 x 100 145 x 150	m ³ /s	0.034	0.042	0.051	0.059	0.068	0.076	0.085	0.093	0.102	0.110										
	175 x 125	NC	-	-	11	17	22	26	30	34	38	41										
0.020	260 x 100 170 x 150	m ³ /s	0.042	0.052	0.062	0.073	0.083	0.093	0.104	0.114	0.125	0.135										
	205 x 125	NC	-	-	12	18	23	28	32	36	39	42										
0.024	305 x 100 195 x 150	m ³ /s	0.049	0.061	0.074	0.086	0.098	0.110	0.123	0.135	0.147	0.159										
	240 x 125	NC	-	-	13	19	24	29	33	37	40	43										
0.028	355 x 100 225 x 150	m ³ /s	0.057	0.071	0.085	0.099	0.113	0.127	0.142	0.156	0.170	0.184										
	275 x 125	NC	-	-	14	20	25	30	34	38	41	44										
0.032	405 x 100 260 x 150	m ³ /s	0.064	0.080	0.096	0.112	0.128	0.144	0.160	0.176	0.193	0.209										
	315 x 125	NC	-	-	15	21	26	31	35	39	42	45										
0.036	450 x 100 290 x 150	m ³ /s	0.074	0.092	0.110	0.129	0.147	0.166	0.184	0.202	0.221	0.239										
	350 x 125 215 x 200	NC	-	-	16	22	27	32	36	40	43	46										
0.043	535 x 100 340 x 150	m ³ /s	0.087	0.109	0.130	0.152	0.174	0.195	0.217	0.239	0.260	0.282										
	415 x 125 250 x 200	NC	-	10	17	23	29	33	37	41	44	48										
0.048	595 x 100 380 x 150	m ³ /s	0.098	0.123	0.147	0.172	0.196	0.221	0.245	0.270	0.294	0.319										
	460 x 125	NC	-	11	18	24	29	34	38	42	45	48										
0.056	695 x 100 440 x 150 260 x 250	m ³ /s	0.113	0.142	0.170	0.198	0.227	0.255	0.283	0.311	0.340	0.368										
	535 x 125 325 x 200	NC	-	12	19	25	31	35	39	43	46	50										
0.064	790 x 100 500 x 150 290 x 250	m ³ /s	0.130	0.163	0.195	0.228	0.260	0.293	0.326	0.358	0.391	0.423										
	610 x 125 370 x 200	NC	-	13	20	26	32	36	40	44	47	51										
0.075	920 x 100 580 x 150 340 x 250	m ³ /s	0.153	0.191	0.229	0.268	0.306	0.344	0.382	0.420	0.459	0.497										
	715 x 125 425 x 200	NC	-	14	21	28	33	37	41	45	49	52										
0.084	1025 x 100 650 x 150 380 x 250	m ³ /s	0.170	0.212	0.255	0.297	0.340	0.382	0.425	0.467	0.510	0.552										
	795 x 125 475 x 200	NC	-	15	22	28	34	38	42	46	49	52										
0.099	1210 x 100 765 x 150 365 x 300	m ³ /s	0.202	0.253	0.303	0.354	0.404	0.455	0.505	0.555	0.606	0.656										
	930 x 125 440 x 250	NC	-	16	24	30	35	39	43	47	51	54										
0.110	845 x 150 490 x 250 345 x 350	m ³ /s	0.223	0.278	0.334	0.390	0.446	0.501	0.557	0.612	0.668	0.724										
	620 x 200 405 x 300	NC	-	17	24	30	35	40	44	48	51	54										
0.124	1510 x 100 950 x 150 390 x 350	m ³ /s	0.253	0.316	0.379	0.443	0.506	0.569	0.632	0.696	0.759	0.822										
	1165 x 125 455 x 300	NC	-	18	25	31	36	41	45	49	52	55										
0.149	1810 x 100 655 x 250 465 x 350	m ³ /s	0.302	0.378	0.453	0.529	0.604	0.680	0.755	0.831	0.906	0.982										
	830 x 200 545 x 300 405 x 400	NC	11	19	26	32	38	42	46	50	54	57										
0.167	930 x 200 605 x 300 455 x 400	m ³ /s	0.340	0.425	0.510	0.595	0.680	0.764	0.849	0.934	1.020	1.100										
	1275 x 150 735 x 250 520 x 350	NC	11	20	27	33	39	43	47	51	54	58										
0.193	1070 x 200 700 x 300 520 x 400	m ³ /s	0.393	0.491	0.589	0.687	0.785	0.883	0.982	1.080	1.180	1.280										
	845 x 250 595 x 350 465 x 450	NC	13	21	28	34	40	44	48	52	55	59										
0.228	1730 x 150 820 x 300 610 x 400	m ³ /s	0.462	0.578	0.694	0.809	0.925	1.040	1.160	1.270	1.390	1.500										
	1260 x 200 700 x 350 540 x 450	NC	14	22	30	36	41	45	50	53	57	60										
0.258	930 x 300 690 x 400 550 x 500	m ³ /s	0.525	0.656	0.787	0.918	1.050	1.180	1.310	1.440	1.570	1.710										
	790 x 350 610 x 450	NC	15	23	30	36	42	46	50	54	58	61										
0.289	1040 x 300 775 x 400 615 x 500	m ³ /s	0.587	0.734	0.881	1.030	1.170	1.320	1.470	1.610	1.760	1.910										
	1255 x 250 885 x 350 685 x 450	NC	15	24	31	37	43	47	51	55	58	62										
0.335	1845 x 200 1200 x 300 795 x 450	m ³ /s	0.681	0.852	1.020	1.190	1.360	1.530	1.700	1.870	2.040	2.220										
	1455 x 250 890 x 400 590 x 600	NC	17	25	32	38	44	48	52	56	59	63										
0.399	1215 x 350 845 x 500	m ³ /s	0.810	1.010	1.220	1.420	1.620	1.820	2.020	2.230	2.430	2.630										
	940 x 450 700 x 600	NC	18	27	34	40	45	49	54	57	61	64										
0.432	1870 x 250 910 x 500	m ³ /s	0.878	1.100	1.320	1.540	1.760	1.980	2.190	2.410	2.630	2.860										
	1145 x 400 755 x 600	NC	18	27	34	40	45	50	54	58	61	64										
0.518	1850 x 300 1221 x 450	m ³ /s	1.050	1.320	1.580	1.840	2.110	2.370	2.630	2.900	3.160	3.420										
	1575 x 350 905 x 600	NC	20	28	36	42	47	51	56	59	63	66										
0.581	1760 x 350 1220 x 500	m ³ /s	1.180	1.470	1.770	2.060	2.360	2.650	2.950	3.240	3.540	3.830										
	1535 x 400	NC	21	29	36	42	48	52	56	60	63	67										

**Suitable for Passive Ventilation (Do not exceed core velocity of 2.5m/sec).

- Neg. SP is negative static pressure.
- All pressures are in pascals.
- NC values are based on room absorption of 10 db, re 10⁻¹² watts.
- Heavy dividing lines denote ranges of NC values.

Model: RLP

CORE AREA m ²	NOMINAL SIZE(mm)	CORE VEL. m/s	NC 20					NC 30			NC 40	
			1.52	2.03	2.54	3.05	3.56	4.06	4.57	5.10	6.10	7.11
			VEL. PRESS	2	3	4	6	8	10	13	16	23
		NEG. SP	8	14	22	31	43	56	70	88	124	169
0.014	185 x 100	m ³ /s	0.021	0.028	0.035	0.042	0.049	0.057	0.064	0.071	0.085	0.099
	145 x 125	NC	-	-	-	18	22	26	30	33	38	42
0.017	220 x 100 145 x 150	m ³ /s	0.025	0.034	0.042	0.051	0.059	0.068	0.076	0.085	0.102	0.119
	175 x 125	NC	-	-	17	20	24	28	33	36	42	47
0.020	260 x 100 170 x 150	m ³ /s	0.031	0.042	0.052	0.063	0.073	0.083	0.093	0.104	0.125	0.145
	205 x 125	NC	-	-	19	23	27	32	37	41	47	52
0.028	355 x 100 225 x 150	m ³ /s	0.042	0.057	0.071	0.085	0.099	0.113	0.127	0.142	0.169	0.198
	275 x 125	NC	-	-	20	25	29	34	39	42	49	54
0.032	405 x 100 260 x 150	m ³ /s	0.048	0.064	0.080	0.096	0.112	0.128	0.144	0.160	0.193	0.225
	315 x 125	NC	-	-	21	27	30	35	40	43	50	55
0.036	450 x 100 290 x 150	m ³ /s	0.055	0.074	0.092	0.110	0.129	0.147	0.166	0.184	0.221	0.258
	350 x 125 215 x 200	NC	-	-	22	28	32	37	41	44	51	56
0.043	535 x 100 340 x 150	m ³ /s	0.065	0.087	0.109	0.130	0.159	0.174	0.195	0.217	0.260	0.304
	415 x 125 250 x 200	NC	-	-	23	29	34	38	42	45	52	57
0.048	595 x 100 380 x 150	m ³ /s	0.074	0.098	0.123	0.147	0.172	0.196	0.220	0.245	0.294	0.344
	460 x 125	NC	-	17	24	30	35	39	43	46	53	58
0.056	695 x 100 440 x 150 260 x 250	m ³ /s	0.085	0.113	0.142	0.169	0.198	0.227	0.255	0.283	0.339	0.396
	535 x 125 325 x 200	NC	-	17	24	30	35	39	43	46	53	58
0.064	790 x 100 500 x 150 290 x 250	m ³ /s	0.098	0.130	0.163	0.195	0.228	0.260	0.293	0.326	0.388	0.456
	610 x 125 370 x 200	NC	-	17	24	30	35	39	43	46	53	58
0.075	920 x 100 580 x 150 340 x 250	m ³ /s	0.115	0.153	0.191	0.229	0.268	0.306	0.344	0.382	0.459	0.535
	715 x 125 425 x 200	NC	-	18	24	30	35	40	44	47	54	59
0.084	1025 x 100 650 x 150 380 x 250	m ³ /s	0.127	0.170	0.212	0.255	0.297	0.340	0.382	0.425	0.510	0.595
	795 x 125 475 x 200	NC	-	18	24	30	35	40	44	47	54	59
0.099	1210 x 100 765 x 150 365 x 300	m ³ /s	0.151	0.202	0.252	0.303	0.353	0.404	0.454	0.505	0.606	0.707
	930 x 125 440 x 250	NC	-	18	25	31	36	40	44	47	54	59
0.110	845 x 150 490 x 250 345 x 350	m ³ /s	0.167	0.223	0.278	0.334	0.390	0.445	0.501	0.557	0.668	0.780
	620 x 200 405 x 300	NC	-	19	25	31	36	41	45	48	55	60
0.124	1510 x 100 950 x 150 390 x 350	m ³ /s	0.190	0.253	0.316	0.379	0.443	0.506	0.569	0.632	0.759	0.885
	1165 x 125 455 x 300	NC	-	19	25	31	36	41	45	48	55	60
0.149	1810 x 100 655 x 250 465 x 350	m ³ /s	0.227	0.302	0.378	0.453	0.530	0.604	0.680	0.755	0.906	1.060
	830 x 200 545 x 300 405 x 400	NC	-	19	26	31	36	41	45	48	55	60
0.167	930 x 200 605 x 300 455 x 400	m ³ /s	0.255	0.340	0.425	0.510	0.595	0.680	0.764	0.849	1.020	1.190
	1275 x 150 735 x 250 520 x 350	NC	-	19	26	32	37	41	45	48	55	60
0.193	1070 x 200 700 x 300 520 x 400	m ³ /s	0.294	0.393	0.491	0.589	0.687	0.785	0.883	0.982	1.180	1.370
	845 x 250 595 x 350 465 x 450	NC	-	20	26	32	37	41	45	48	55	60
0.228	1730 x 150 820 x 300 610 x 400	m ³ /s	0.346	0.462	0.578	0.694	0.809	0.925	1.040	1.160	1.390	1.620
	1260 x 200 700 x 350 540 x 450	NC	-	20	26	32	37	42	46	49	56	61
0.258	930 x 300 690 x 400 550 x 500	m ³ /s	0.394	0.525	0.656	0.787	0.918	1.050	1.180	1.310	1.570	1.840
	790 x 350 610 x 450	NC	-	20	27	35	38	42	46	49	56	61
0.289	1040 x 300 775 x 400 615 x 500	m ³ /s	0.440	0.587	0.734	0.881	1.030	1.170	1.320	1.470	1.760	2.050
	1255 x 250 885 x 350 685 x 450	NC	-	20	27	35	38	42	46	49	56	61
0.335	1845 x 200 1200 x 300 795 x 450	m ³ /s	0.511	0.681	0.851	1.020	1.190	1.360	1.530	1.700	2.040	2.380
	1455 x 250 890 x 400 590 x 600	NC	16	21	28	34	39	43	48	51	57	61
0.399	1215 x 350 845 x 500	m ³ /s	0.607	0.810	1.010	1.210	1.420	1.620	1.820	2.020	2.430	2.830
	940 x 450 700 x 600	NC	16	21	28	35	39	44	48	51	57	62
0.432	1870 x 250 910 x 500	m ³ /s	0.658	0.878	1.100	1.320	1.540	1.750	1.970	2.190	2.630	3.070
	1145 x 400 755 x 600	NC	17	22	28	35	40	44	49	52	58	62
0.518	1850 x 300 1221 x 450	m ³ /s	0.790	1.050	1.320	1.580	1.840	2.120	2.370	2.630	3.160	3.690
	1575 x 350 905 x 600	NC	17	22	29	36	40	45	49	52	58	63
0.581	1760 x 350 1220 x 500	m ³ /s	0.885	1.180	1.470	1.770	2.060	2.360	2.650	2.950	3.540	4.130
	1535 x 400	NC	17	22	29	36	41	45	49	52	58	63

- Neg. SP is negative static pressure.
- All pressures are in pascals.
- NC values are based on room absorption of 10 db, re 10⁻¹² watts.
- Heavy dividing lines denote ranges of NC values.

RLW & AMG – Return Louvers & Grilles

Model: RLW

RLW grilles are designed for return and exhaust air applications and are complete with 29mm wide blade spacing. Removable and hinged core sections are available for easy access to dampers and removable filter where fitted (Filter non-standard).

All components are manufactured in long lasting maintenance free aluminium extrusion.

Sizes

- RLW maximum one-piece construction size is 2000x2000mm. Larger sizes can be made in multiple sections.
- RLWFR maximum one-piece construction size is 1200x1200mm. Larger sizes can be made in multiple sections.

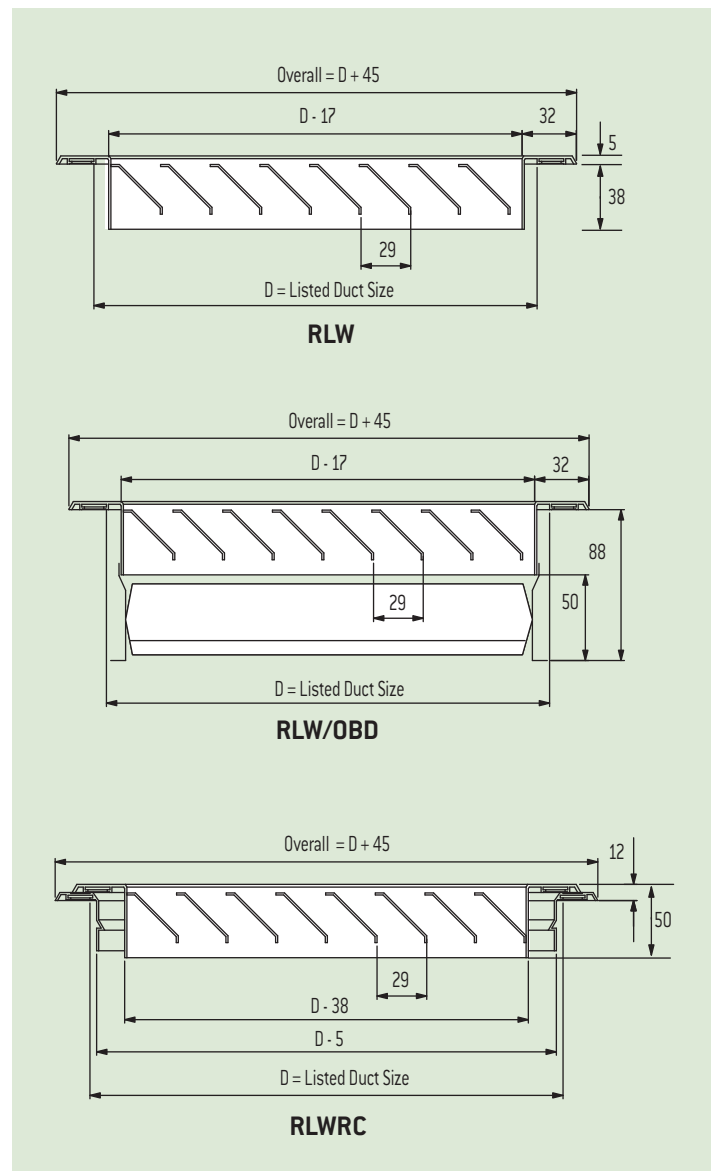
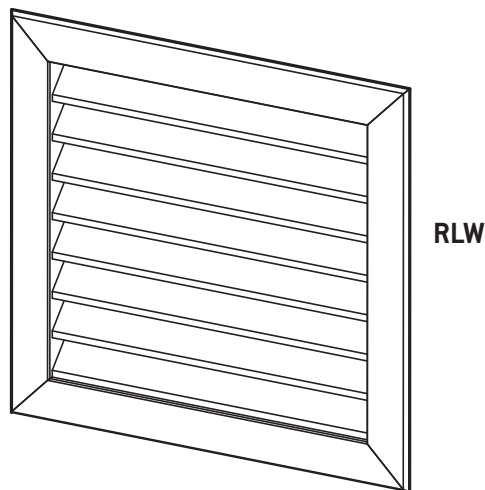
Accessories

OBD - Opposed Blade Damper.

Product Codes

RLWL - Return Louver Wide Spacing – Blades parallel to long dimension.
 RLWS - Return Louver Wide Spacing – Blades parallel to short dimension.
 RLW/OBD - Return Louver Wide Spacing with Opposed blade Damper.
 RLWRC - Return Louver Wide Spacing with Removable Core.
 RLWFR – Return Louver Wide Spacing with Filtered Hinged Frame.

Contact your local Holyoake branch for dimensional details.



Model: AMG

AMG Grilles can be used in simple return, or exhaust applications. The AMG consists of an aluminium flanged surround and a aluminium diamond mesh core (35mm x 15mm pattern). The AMG can be supplied with a removable core.

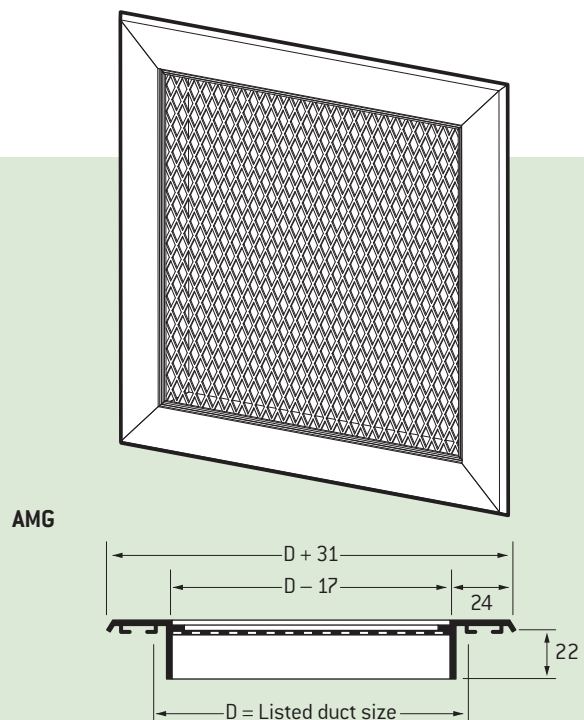
Product Codes

- AMG – Standard Aluminium Mesh Grille.
- AMG/OBD – Aluminium Mesh Grille with opposed blade damper.
- AMGRC – Aluminium Mesh Grille with Removable Core.
- AMGFR – Aluminium Mesh Grille with Filtered Hinged Frame.

Steel mesh is available as an option.

Consult your local Holyoake branch for further information.

Option: 40mm flanged surround (Excluding FR Models).



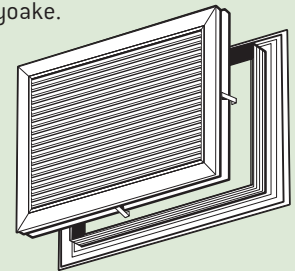
Model: RLW

CORE AREA m ²	NOMINAL SIZE (mm)	CORE VEL. m/s	1.43	1.75	2.06	2.44	2.76	3.18	3.46	3.61	3.94	4.75	
		VEL. PRESS	2	4	5	7	9	12	14	15	18	26	
		NEG. SP	8	12	16	23	29	37	45	54	65	88	
0.014	185x100 145x125	m ³ /s	0.024	0.030	0.035	0.043	0.048	0.054	0.060	0.066	0.072	0.084	NC 30
		NC	-	-	-	-	15	19	22	24	26	29	
0.017	220x100 145x150 175x125	m ³ /s	0.029	0.037	0.043	0.052	0.059	0.066	0.073	0.080	0.087	0.102	NC 30
		NC	-	-	-	-	15	19	23	25	27	31	
0.020	260x100 170x150 205x125	m ³ /s	0.034	0.043	0.051	0.062	0.069	0.077	0.086	0.094	0.103	0.120	NC 30
		NC	-	-	-	-	15	20	24	26	28	31	
0.028	355x100 225x150 275x125	m ³ /s	0.047	0.061	0.071	0.086	0.096	0.108	0.120	0.131	0.144	0.168	NC 30
		NC	-	-	-	15	19	23	25	28	29	33	
0.032	405x100 260x150 315x125	m ³ /s	0.054	0.069	0.081	0.099	0.110	0.124	0.137	0.150	0.164	0.192	NC 30
		NC	-	-	-	15	19	23	25	29	30	34	
0.036	450x100 290x150 350x125 215x200	m ³ /s	0.058	0.072	0.084	0.101	0.113	0.132	0.140	0.152	0.167	0.194	NC 30
		NC	-	-	-	15	19	23	26	29	31	35	
0.043	535x100 340x150 415x125 250x200	m ³ /s	0.061	0.075	0.089	0.105	0.119	0.137	0.149	0.155	0.169	0.204	NC 30
		NC	-	-	-	15	19	23	26	30	31	36	
0.048	595x100 380x150 460x125	m ³ /s	0.069	0.084	0.099	0.117	0.133	0.153	0.166	0.173	0.189	0.228	NC 30
		NC	-	-	-	15	19	24	27	31	32	37	
0.056	695x100 440x150 260x250 535x125 325x200	m ³ /s	0.080	0.098	0.115	0.137	0.155	0.178	0.194	0.202	0.221	0.266	NC 30
		NC	-	-	-	15	20	24	28	32	32	38	
0.064	790x100 500x150 290x250 610x125 370x200	m ³ /s	0.091	0.112	0.132	0.156	0.177	0.203	0.222	0.231	0.252	0.304	NC 40
		NC	-	-	-	15	20	24	28	33	33	39	
0.075	920x100 580x150 340x250 715x125 425x200	m ³ /s	0.107	0.131	0.154	0.183	0.207	0.238	0.260	0.271	0.296	0.356	NC 40
		NC	-	-	-	15	20	25	29	33	34	40	
0.084	1025x100 650x150 380x250 795x125 475x200 300x300	m ³ /s	0.120	0.147	0.173	0.205	0.232	0.267	0.291	0.303	0.331	0.399	NC 40
		NC	-	-	-	15	20	25	30	34	34	41	
0.099	1210x100 765x150 365x300 930x125 440x250	m ³ /s	0.155	0.205	0.236	0.282	0.312	0.334	0.362	0.405	0.439	0.563	NC 40
		NC	-	-	-	16	24	29	31	35	38	48	
0.110	845x150 490x250 345x350 620x200 405x300	m ³ /s	0.173	0.227	0.262	0.314	0.347	0.371	0.402	0.450	0.487	0.626	NC 40
		NC	-	-	-	16	25	29	32	35	39	49	
0.124	1510x100 950x150 390x350 1165x125 455x300	m ³ /s	0.195	0.256	0.295	0.354	0.391	0.418	0.454	0.508	0.549	0.706	NC 40
		NC	-	-	-	16	26	30	33	36	39	49	
0.149	1810x100 655x250 465x350 830x200 545x300 405x400	m ³ /s	0.234	0.308	0.355	0.425	0.470	0.502	0.545	0.610	0.660	0.848	NC 40
		NC	-	-	-	16	27	31	36	38	41	49	
0.167	1275x150 930x200 605x300 455x400 735x250 520x350	m ³ /s	0.267	0.331	0.387	0.463	0.522	0.595	0.653	0.691	0.756	0.902	NC 40
		NC	-	-	-	22	28	33	38	40	41	49	
0.193	1070x200 700x300 520x400 845x250 595x350 465x450	m ³ /s	0.308	0.383	0.447	0.535	0.603	0.687	0.755	0.799	0.874	1.043	NC 50
		NC	-	-	15	23	28	33	40	41	41	49	
0.228	1730x150 820x300 610x400 1260x200 700x350 54x500	m ³ /s	0.346	0.429	0.502	0.600	0.676	0.771	0.847	0.897	0.980	1.170	NC 50
		NC	-	-	15	23	29	33	40	41	41	51	
0.258	930x300 690x400 550x500 790x350 610x450	m ³ /s	0.370	0.453	0.533	0.632	0.715	0.823	0.896	0.933	1.020	1.229	NC 50
		NC	-	-	15	23	29	34	40	41	42	51	
0.289	1040x300 775x400 615x500 1255x250 885x350 685x450	m ³ /s	0.414	0.507	0.597	0.707	0.801	0.921	1.004	1.046	1.142	1.377	NC 50
		NC	-	-	15	23	29	34	40	41	42	51	
0.335	1845x200 1200x300 790x450 1455x250 890x400 590x600	m ³ /s	0.480	0.588	0.692	0.820	0.928	1.068	1.164	1.212	1.324	1.596	NC 50
		NC	-	-	15	24	30	34	40	41	43	52	
0.399	1215x350 845x500 940x450 700x600	m ³ /s	0.572	0.700	0.824	0.977	1.105	1.272	1.386	1.444	1.577	1.901	NC 50
		NC	-	-	16	26	31	34	41	42	44	52	
0.432	1870x250 910x500 1145x400 755x600	m ³ /s	0.619	0.758	0.892	1.057	1.197	1.377	1.501	1.563	1.707	2.058	NC 50
		NC	-	16	19	26	32	35	41	42	44	52	
0.518	1850x300 1215x450 1575x350 905x600	m ³ /s	0.742	0.909	1.070	1.268	1.435	1.651	1.800	1.874	2.047	2.468	NC 50
		NC	-	16	20	26	33	38	41	42	46	53	
0.581	1760x350 1220x500 1535x400	m ³ /s	0.832	1.020	1.200	1.422	1.609	1.852	2.019	2.102	2.296	2.768	NC 50
		NC	-	16	21	29	34	39	41	43	48	54	

- Neg. SP is negative static pressure.
- All pressures are in pascals.
- NC values are based on room absorption of 10 db, re 10⁻¹² watts.
- Heavy dividing lines denote ranges of NC values.

Grille Description Code Examples and Suggested Specifications

Door grilles shall be of rattle-free, all aluminium construction, with sight proof blades of Chevron design, assembled in either a flanged, or channel type frame, presenting a similar appearance from both sides. Purpose made back flanges shall be available for flanged units, standard models shall be available to suit any door thickness from 28mm to 52mm. All shall be as manufactured by Holyoake.



DG – [52 / 17 / *1700] – [BFL / BFS / AL / AS / BL / BS] – W x H – FINISH

Door Grille. Model (Including Blade Configuration). Frame Style. Width x Height 'Nominal Opening Dimensions'. Satin Anodised (DG52 Only). Holyoake White. Mill Aluminium. Powder Coat.

*Model 1700 is a double thickness Model 17, suitable for light proof applications. It is available with a Matt Black Finish.

[RLL – RLS] – [23 / 25] – [RC / FR] – OBD – W x H – FINISH

Return Louver, Long Blades. Blade Spacing/Shape Code (23 = 20mm, 25 = 12.5mm/Set at 30°). Opposed Blade Damper. Width x Height 'Nominal Size' (Duct, or Trimmed Hole). Holyoake White. Mill Aluminium. Powder Coat.

Return Louver, Short Blades. Frame Style (Removeable Core, or Filter Return).

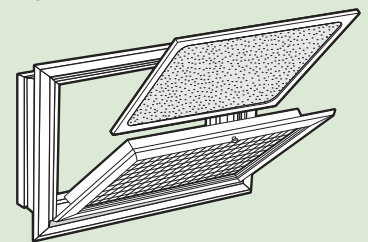
Return and/or exhaust louvers shall be of extruded aluminium, rattle-free construction, of the model shown on the drawings, or elsewhere in this specification. Blades shall be mechanically locked to mullions and frames. Frames shall have close mitred corners, reinforced and secured with aluminium gussets. Filter returns, where specified, shall be of similar construction, mounted in a hinged subframe and held closed with a positive latch. Filters are 'EU2' washable type.

All shall be as manufactured by Holyoake.

[RLHL – RLHS] – [RC / FR] – OBD – W x H – FINISH

Return Louver, Long Blades (20mm spacing, set at 45°). Return Louver, Short Blades (20mm spacing, set at 45°). Opposed Blade Damper. Width x Height 'Nominal Size' (Duct, or Trimmed Hole). Holyoake White. Mill Aluminium. Powder Coat.

**Suitable for Passive Ventilation (Do not exceed core velocity of 2.5m/sec).



[RLP] – [RC / FR] – OBD – W x H – FINISH

Return Louver Model (Perforated, Egg-Crate, or Obscured Egg-Crate). Frame Style (Removeable Core, or Filter Return). Opposed Blade Damper. Width x Height 'Nominal Size' (Duct, or Trimmed Hole). Holyoake White. Mill Aluminium. Powder Coat.

Note When ceiling mounted, seismic restraints may be required, but are not supplied.

Grille Description Code Examples and Suggested Specifications

RLW – **[L S]** – **[RC FR]** – **OBD** – **W x H** – **FINISH**

Return Louver Wide.

Blades Parallel to long, or short dimension.

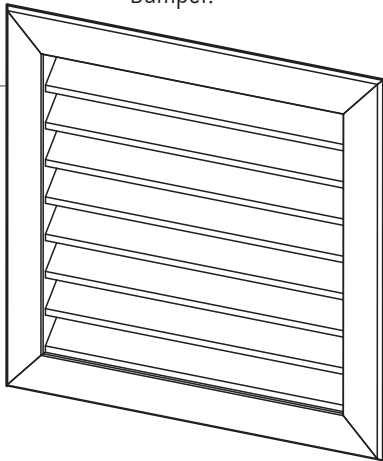
Frame Style (Removeable Core, or Filter Return).

Opposed Blade Damper.

Width x Height 'Nominal Size' (Duct, or Trimmed Hole).

Holyoake White. Mill Aluminium. Powder Coat.

Return and/or exhaust louvers shall be of extruded aluminium, rattle-free construction, of the model shown on the drawings, or elsewhere in this specification. Blades shall be mechanically locked to mullions and frames. Frames shall have close mitred corners, reinforced and secured with aluminium gussets. Filter returns, where specified, shall be of similar construction, mounted in a hinged subframe and held closed with a positive latch. Filters are 'EU2' washable type. All shall be as manufactured by Holyoake.



Guide Product Weights	
Approximate Weight in Kg.	
Size	RLW
300 x 300	2
500 x 500	11
900 x 900	22

AMG – **[RC FR]** – **OBD** – **W x H** – **FINISH**

Aluminium Mesh Grille.

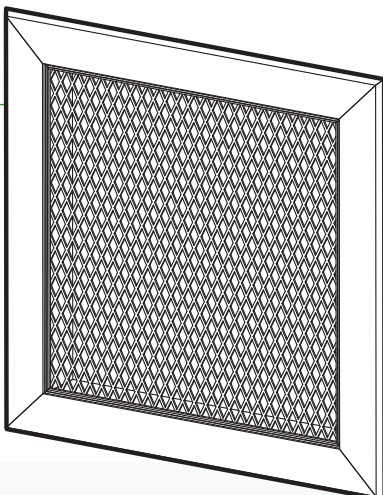
Frame Style (Removeable Core, or Filter Return).

Opposed Blade Damper.

Width x Height 'Nominal Size' (Duct, or Trimmed Hole).

Holyoake White. Mill Aluminium. Powder Coat.

Return and/or exhaust Grilles shall be an aluminium frame with aluminium mesh core. They shall be of rattle-free construction, of the model shown on the drawings, or elsewhere in this specification. Frames shall have close mitred corners, reinforced and secured with aluminium gussets. Filter returns, where specified, shall be of similar construction, mounted in a hinged subframe and held closed with a positive latch. Filters are 'EU2' washable type. All shall be as manufactured by Holyoake.



Guide Product Weights	
Approximate Weight in Kg.	
Size	AMG
200 x 200	0.38
300 x 300	0.58
500 x 500	1.05

Note

When ceiling mounted, seismic restraints may be required, but are not supplied.