

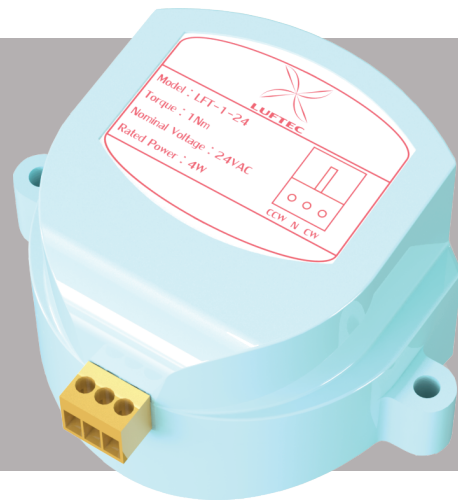
## General Damper Actuator

**1Nm**

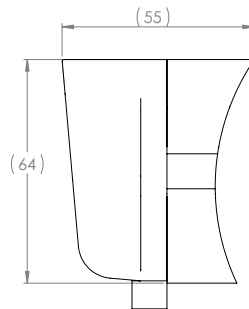
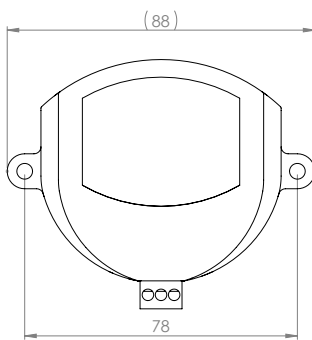
**LFT1.M24.D**

For operation of SPM control dampers in HVAC systems.  
Torque: 1Nm

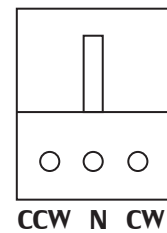
Nominal voltage: AC 24V



### Actuator Dimensions(mm)



### Wiring Diagram



### Technical specification

		LFT1.M24.D
Electrical data	Nominal voltage	AC24V 50/60Hz
	Nominal voltage range	AC 19.2...28.8V
	Power consumption	4W@Nominal toque/0.5W@holding
	Wire sizing	0.5mm <sup>2</sup>
Function data	Torque	1Nm
	Damper size	0.3m <sup>2</sup>
	Angle of rotation	Max 95°
	Running time	10S(95°)
	Sound power level	45dB
	Protection class	III (safety low voltage)
Working conditions	Protection level	IP44
	Ambient temperature	-20...+50°C/IEC 721-3-3
	Inventory temperature	-30...+80°C/IEC 721-3-2
	Humidity test	95%RH, non condensing(EN60730-1)
Dimensions	Dimensions (L×W×H)	See "Dimensions"
	Shaft length	> 7mm
Weight	Shaft diameter	8×8mm □
	Weight	< 0.15kg