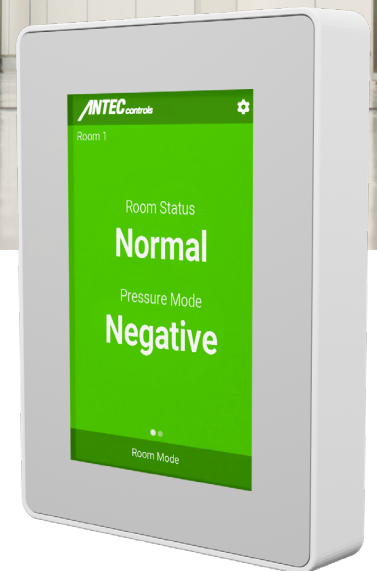


# LUME

## ROOM PRESSURE MONITORS



# LUME

## Room Pressure Monitors

Lume™ room pressure monitors accurately measure and monitor room pressure in places such as Compounding Pharmacies, Isolation Rooms and Operating Rooms, ensuring these environments are kept safe.

With a high-resolution touchscreen display and easy to navigate menus, Lume™ has a simple yet modern user interface. Room status is displayed clearly through the colored screen with audible alarms for additional indication of any changes in room status.

**LUME10** provides single room pressure monitoring in combination with Antec Controls SDPT differential pressure sensor to precisely measure room pressure, providing confidence that pressure requirements are met.

**LUME11** has the same functionalities as LUME10, with added BACnet capabilities.



### ROOM PRESSURE SENSING

Paired with SDPT differential pressure sensor, Lume™ provides precision pressure measurement in critical spaces. The SDPT is a maintenance-free pressure sensor providing pressure measurement within +/- 0.250 in.w.c. through an analog signal. With minimal drift over time, the SDPT is highly accurate and has proven to have the most durable pressure sensing technology when tested against the competition.



Differential Pressure Sensor

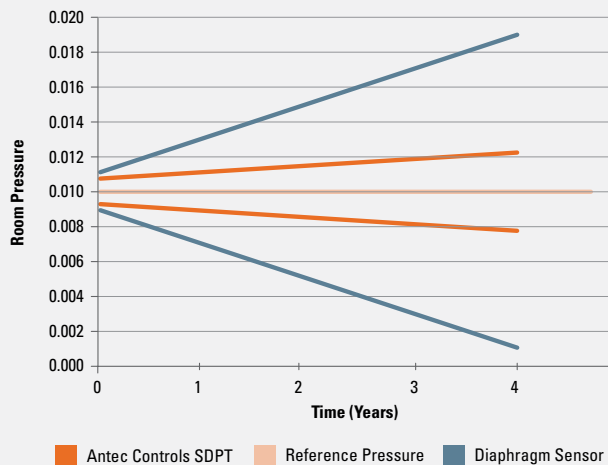
Stainless steel or plastic face plate



Fire-rated pressure tubing

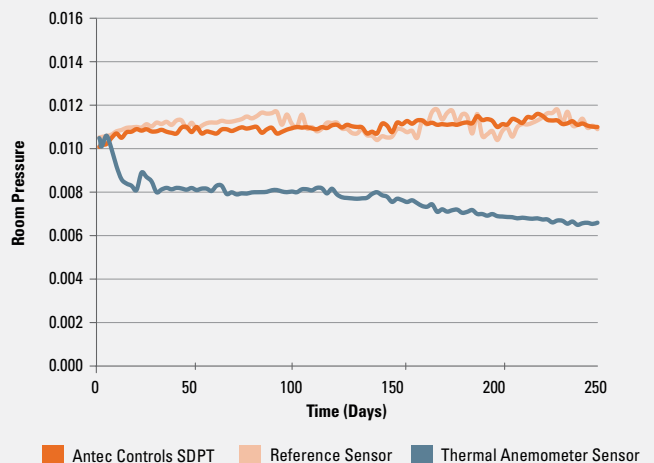
**Comparison of Antec Controls sensor to diaphragm sensor technology.**

Comparison of published accuracies.



**Comparison of Antec Controls sensor to thermal anemometer sensor technology.**

Effects of a lint and dust saturated environment.



### ROOM STATUS INDICATION

The illuminated screen on Lume™ provides clear room status indication. With two configurable room modes, users have the option to change the screen color and room mode name to best suit their needs.



Configurable Room Mode Options

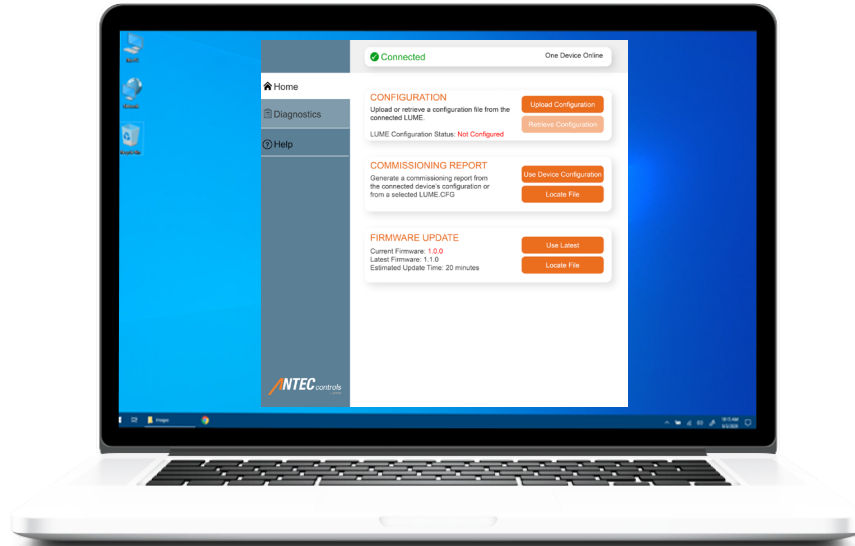
Alarm & Caution

### FEATURES

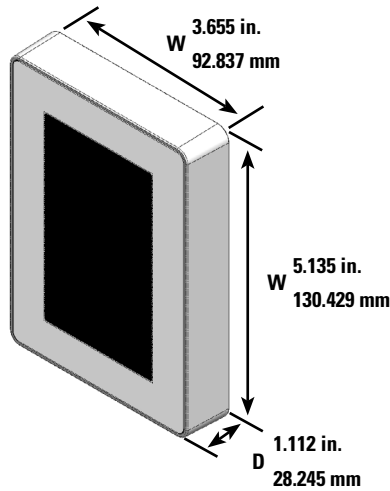
		LUME10	LUME11
Indication	Visual Alarms	Yes	Yes
	Audible Alarms	Yes	Yes
	Alarm Delays	Yes	Yes
Room Pressure Sensors	Antec Controls' SDPT	Yes	Yes
	Third Party Option (Analog)	Yes	Yes
Configuration	Monitored Rooms	1	1
	Room Modes	2	2
Communications	Native BACnet MS/TP	No	Yes
Accessories	Door Contact Switch (DCS)	Yes	Yes
	Room Mode Keyswitch	Yes	Yes

### LUME ASSISTANT

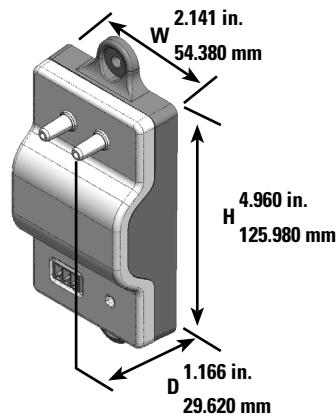
Lume™ Assistant is a desktop software application that supports Lume™ commissioning. It is designed to retrieve and upload configurations, and copy or paste these to other devices in the room. Through Lume™ Assistant, users can generate commissioning reports and view device diagnostics.



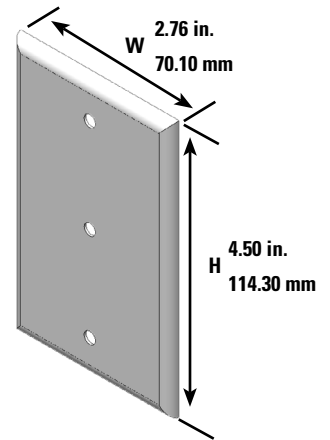
### DIMENSIONAL DATA



Lume™ Room Pressure Monitor



Differential Pressure Sensor (SDPT)



Face Plate

### SPECIFICATIONS

See the latest information located in the product submittal available at [www.AntecControls.com](http://www.AntecControls.com)







Product Improvement is a continuing endeavour at Antec Controls by Price. Therefore, specifications are subject to change without notice. Consult your Sales Representative for current specifications or more detailed information. Not all products may be available in all geographic areas. All goods described in this document are warranted as described in the Limited Warranty. The complete product catalog can be viewed online at [AntecControls.com](https://www.AntecControls.com)