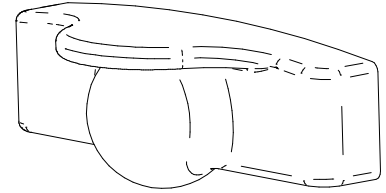
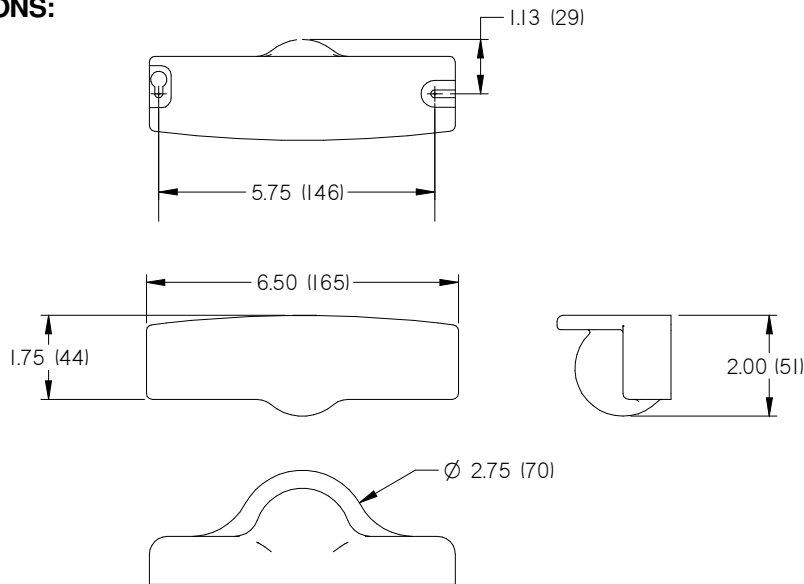


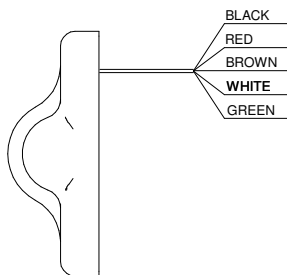
FPS SPECIFICATIONS:	
ENVIRONMENTAL (OPERATING)	50°F to 122°F (10°C to 50°C), 5% to 95% R.H.(NON-CONDENSING)
ENVIRONMENTAL (STORAGE)	-22°F to 122°F (-30°C to 50°C), 0% to 95% R.H.(NON-CONDENSING)
INPUT POWER	24 VAC +/- 10%, 10 VA, CLASS 2
DETECTION	DOPPLER SHIFT RADAR
DETECTION PATTERN	SELECTABLE, WIDE OR NARROW
OUTPUTS	1 BINARY OUTPUT (DRY CONTACT FORM C, MAX: 1A)
MAX. MOUNTING HEIGHT	15ft (4.6m)
PLASTIC HOUSING	ABS COVER AND BASE



DIMENSIONS:



TERMINATION:



BLACK	INPUT POWER, GROUND
RED	INPUT POWER, HOT
BROWN	RELAY, N/O
WHITE	RELAY, COMMON
GREEN	RELAY, N/C

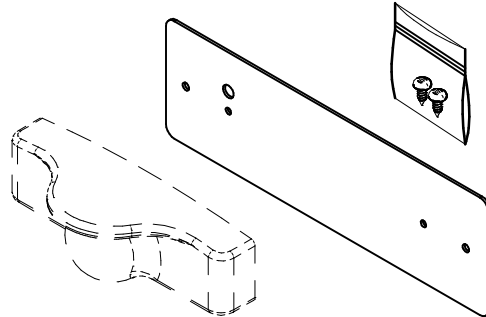
NOTE: PLEASE REFER TO FHC MANUAL FOR INSTALLATION AND SETUP INSTRUCTIONS.
SEE PROJECT SUBMITTAL SCHEDULE FOR SELECTED OPTIONS.

ALL METRIC DIMENSIONS () ARE SOFT CONVERTED. IMPERIAL DIMENSIONS ARE CONVERTED TO METRIC AND ROUNDED TO THE NEAREST MILLIMETER.
SPECIFICATIONS ARE SUBJECT TO CHANGE WITHOUT NOTICE.

RETROFIT ACCESSORY:

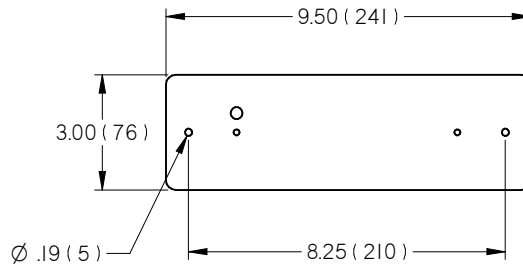
ACCESSORY SPECIFICATIONS:	
MOUNTING PLATE MATERIAL	16ga STAINLESS STEEL, BRUSHED
SCREW	#10 x .5", STAINLESS STEEL

- MOUNTING PLATE - 8.25" HOLE SPACING (MP8)
- MOUNTING PLATE - 17.50" HOLE SPACING (MP18)

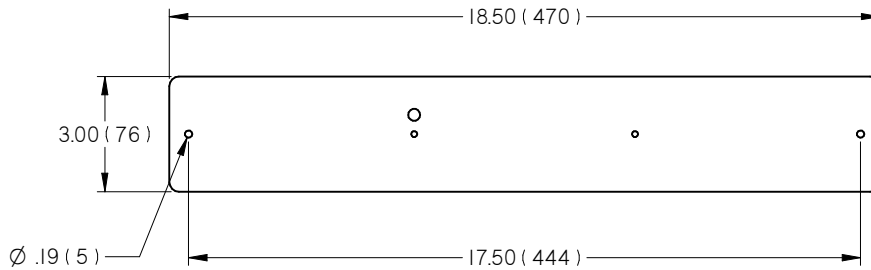


MP8 PLATE SHOWN

DIMENSIONS:



MP8 PLATE



MP18 PLATE

NOTE: PLEASE REFER TO FHC MANUAL FOR INSTALLATION AND SETUP INSTRUCTIONS.
SEE PROJECT SUBMITTAL SCHEDULE FOR SELECTED OPTIONS.

ALL METRIC DIMENSIONS () ARE SOFT CONVERTED. IMPERIAL DIMENSIONS ARE CONVERTED TO METRIC AND ROUNDED TO THE NEAREST MILLIMETER.
SPECIFICATIONS ARE SUBJECT TO CHANGE WITHOUT NOTICE.