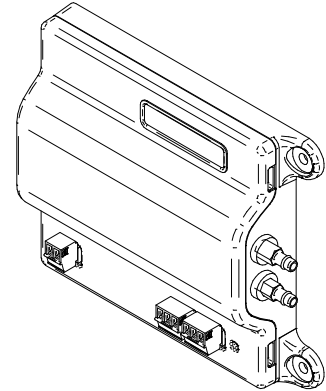
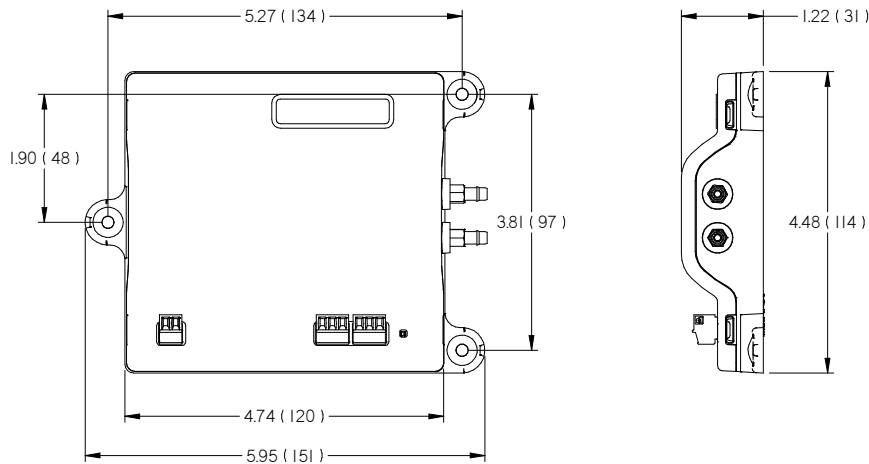


- SIDEWALL VELOCITY SENSOR (SVS)  
PRESSURE SENSOR -0.5 to 0.5 in.w.c. (-125 to 125 Pa)

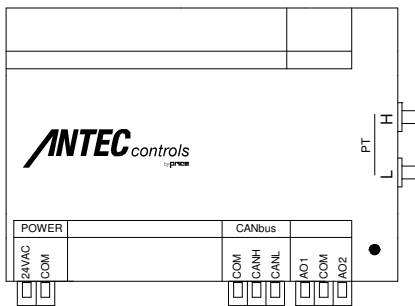
SVS SPECIFICATIONS:	
ENVIRONMENTAL (OPERATING)	32°F to 130°F (0°C to 55°C), 5% to 95% R.H.(NON-CONDENSING)
ENVIRONMENTAL (STORAGE)	-22°F to 158°F (-30°C to 70°C), 0% to 95% R.H.(NON-CONDENSING)
INPUT POWER	24 VAC, 50/60 Hz, 17 VA MAX, CLASS 2 or LPS PELV
INPUTS	CANbus, 1 TRANSDUCER, -0.5 to 0.5 in.w.c. (-125 to 125 Pa)
OUTPUTS	2 ANALOG OUTPUTS (0 to 10 VDC, MAX:10 mA)
INDICATORS	STATUS LED
HOUSING	UL 94 V-0, PC-ABS PLASTIC



**DIMENSIONS:**



**TERMINATION:**



POWER	24VAC	INPUT POWER, HOT
	COM	INPUT POWER, GROUND
CANbus	COM	CANbus GROUND
	CANH	CANbus HIGH
	CANL	CANbus LOW
ANALOG OUTPUTS	AO1	ANALOG OUTPUT 1
	COM	ANALOG OUTPUT GROUND
	AO2	ANALOG OUTPUT 2

**MOUNT:**

- SHIPPED LOOSE

NOTE: PLEASE REFER TO CAVA MANUAL FOR INSTALLATION INSTRUCTIONS. SEE PROJECT SUBMITTAL SCHEDULE FOR SELECTED OPTIONS.

ALL METRIC DIMENSIONS ( ) ARE SOFT CONVERTED. IMPERIAL DIMENSIONS ARE CONVERTED TO METRIC AND ROUNDED TO THE NEAREST MILLIMETER. SPECIFICATIONS ARE SUBJECT TO CHANGE WITHOUT NOTICE.