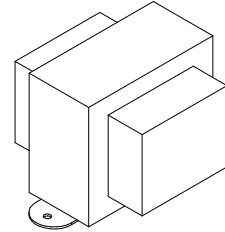
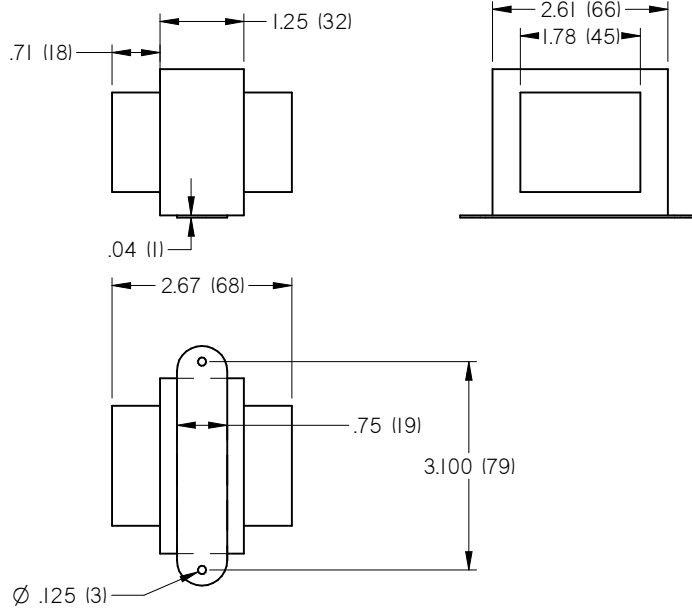


50VA - 120 TO 24VAC POWER TRANSFORMER (SHIPPED LOOSE)

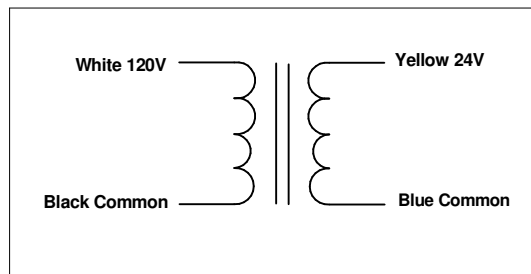
VPT-50 SPECIFICATIONS:	
PRIMARY	120VAC
FREQUENCY	50/60Hz
LEADS	18AWG, STRANDED
MOUNTING	FOOT MOUNT
WEIGHT	2.0lbs.



DIMENSIONS:



TERMINATION:

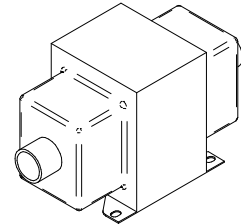


NOTE: SEE PROJECT SUBMITTAL SCHEDULE FOR SELECTED OPTIONS.

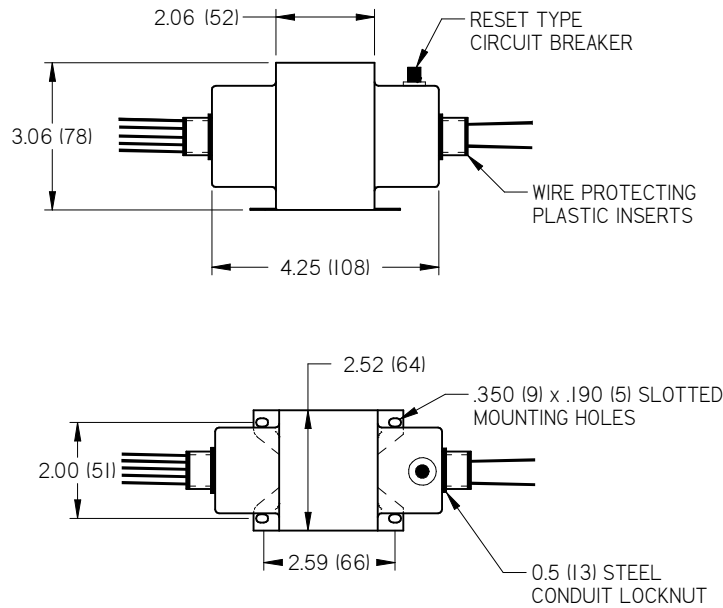
ALL METRIC DIMENSIONS () ARE SOFT CONVERTED. IMPERIAL DIMENSIONS ARE CONVERTED TO METRIC AND ROUNDED TO THE NEAREST MILLIMETER. SPECIFICATIONS ARE SUBJECT TO CHANGE WITHOUT NOTICE.

96VA - 120, 240, 277, 480 TO 24VAC POWER TRANSFORMER (SHIPPED LOOSE)

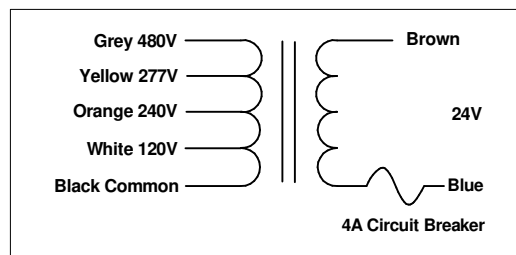
VPT-96 SPECIFICATIONS:	
PRIMARY	480/277/240/120VAC
FREQUENCY	50/60Hz
LEADS	18AWG, STRANDED
MOUNTING	FOOT MOUNT
WEIGHT	4.5lbs.
CIRCUIT PROTECTION	MANUAL RESET CIRCUIT BREAKER



DIMENSIONS:



TERMINATION:

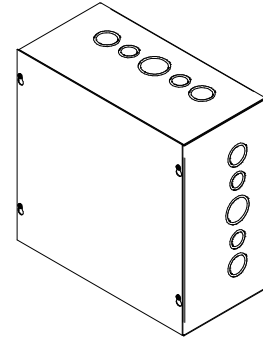


NOTE: SEE PROJECT SUBMITTAL SCHEDULE FOR SELECTED OPTIONS.

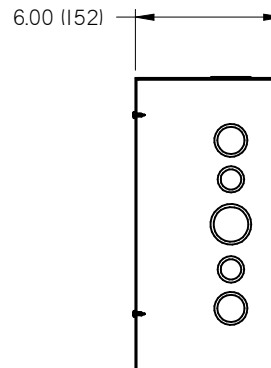
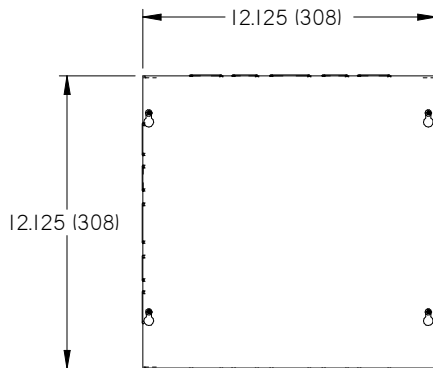
ALL METRIC DIMENSIONS () ARE SOFT CONVERTED. IMPERIAL DIMENSIONS ARE CONVERTED TO METRIC AND ROUNDED TO THE NEAREST MILLIMETER. SPECIFICATIONS ARE SUBJECT TO CHANGE WITHOUT NOTICE.

300VA - 120, 240, 277, 480 TO 24VAC POWER TRANSFORMER (PANEL MOUNTED)

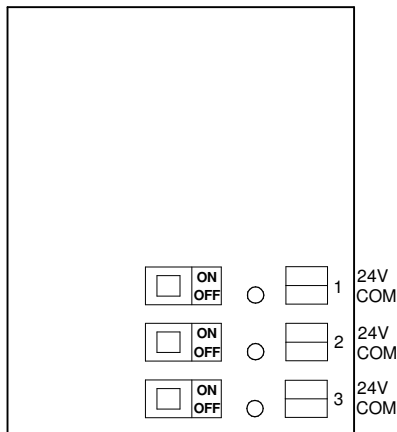
VPT-300 SPECIFICATIONS:	
TRANSFORMER	300VA
OVER CURRENT PROTECTION	CIRCUIT BREAKER
PRIMARY	480/277/240/120VAC
FREQUENCY	50/60Hz
HOUSING	NEMA 1 METAL ENCLOSURE
WEIGHT	22.46lbs.
3 SECONDARIES	24VAC, WITH LED INDICATORS 4A BREAKER FOR EACH OUTPUT
24 VAC ON/OFF	ON/OFF SWITCH & BREAKER
INPUT	480/277/240/120VAC FINGER-SAFE TERMINALS, 8-18AWG
OUTPUT	3 UNDERGROUNDED, ISOLATED, 100VA, CLASS 2 OUTPUTS TERMINALS ACCEPT 12-26AWG WIRE



DIMENSIONS:



TERMINATION:



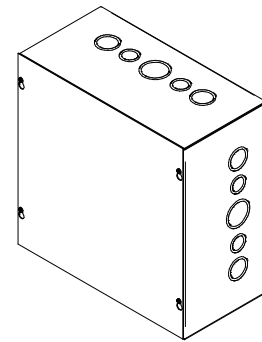
OUTPUT 1	24 VAC, 100 VA, CLASS 2
OUTPUT 2	24 VAC, 100 VA, CLASS 2
OUTPUT 3	24 VAC, 100 VA, CLASS 2

NOTE: SEE PROJECT SUBMITTAL SCHEDULE FOR SELECTED OPTIONS.

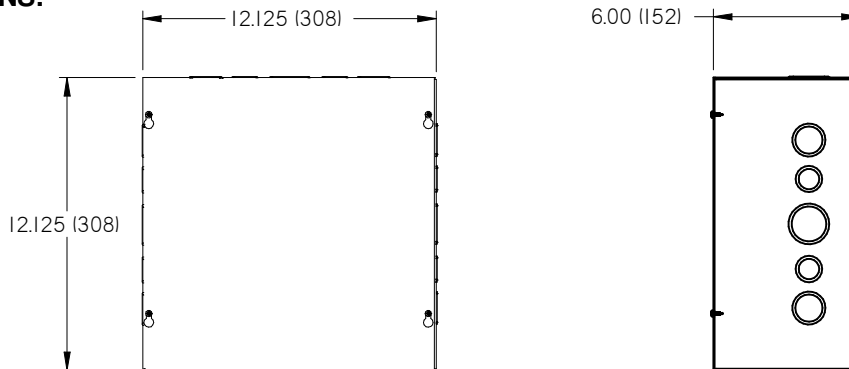
ALL METRIC DIMENSIONS () ARE SOFT CONVERTED. IMPERIAL DIMENSIONS ARE CONVERTED TO METRIC AND ROUNDED TO THE NEAREST MILLIMETER. SPECIFICATIONS ARE SUBJECT TO CHANGE WITHOUT NOTICE.

500VA - 120, 240, 277, 480 TO 24VAC POWER TRANSFORMER (PANEL MOUNTED)

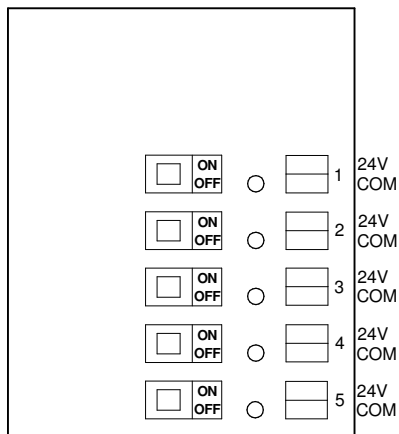
VPT-500 SPECIFICATIONS:	
TRANSFORMER	500VA
OVER CURRENT PROTECTION	CIRCUIT BREAKER
PRIMARY	480/277/240/120VAC
FREQUENCY	50/60Hz
HOUSING	NEMA 1 METAL ENCLOSURE
WEIGHT	22.46lbs.
5 SECONDARIES	24VAC, WITH LED INDICATORS 4A BREAKER FOR EACH OUTPUT
24 VAC ON/OFF	ON/OFF SWITCH & BREAKER
INPUT	480/277/240/120VAC FINGER-SAFE TERMINALS, 8-18AWG
OUTPUT	5 UNDERGROUNDED, ISOLATED, 100VA, CLASS 2 OUTPUTS TERMINALS ACCEPT 12-26AWG WIRE



DIMENSIONS:



TERMINATION:



OUTPUT 1	24 VAC, 100 VA, CLASS 2
OUTPUT 2	24 VAC, 100 VA, CLASS 2
OUTPUT 3	24 VAC, 100 VA, CLASS 2
OUTPUT 4	24 VAC, 100 VA, CLASS 2
OUTPUT 5	24 VAC, 100 VA, CLASS 2

NOTE: SEE PROJECT SUBMITTAL SCHEDULE FOR SELECTED OPTIONS.

ALL METRIC DIMENSIONS () ARE SOFT CONVERTED. IMPERIAL DIMENSIONS ARE CONVERTED TO METRIC AND ROUNDED TO THE NEAREST MILLIMETER. SPECIFICATIONS ARE SUBJECT TO CHANGE WITHOUT NOTICE.