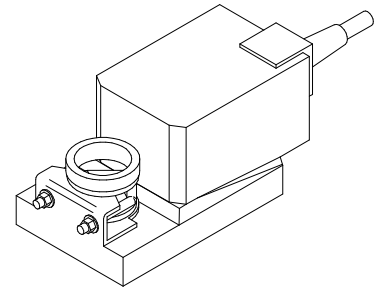


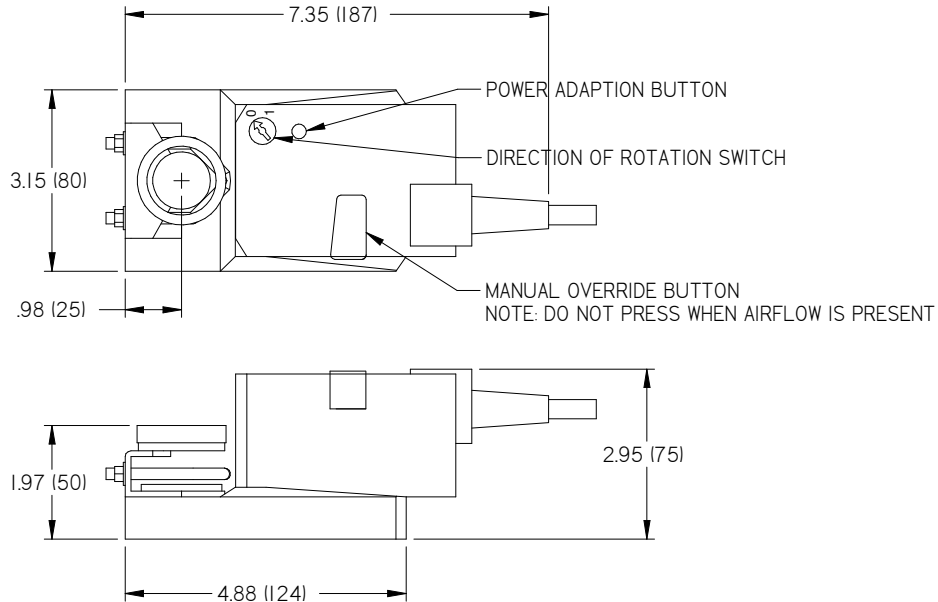
<b>ANTEC CONTROLS ACTUATORS REFERENCE CHART</b>		
<b>PART #</b>	<b>DESCRIPTION</b>	<b>SUBMITTAL SHEET #</b>
<b>019127-001</b>	35 in-lbs (4 Nm), 2-10 VDC, HSA (2.5 sec), FLP	2
<b>019127-002</b>	45 in-lbs (5 Nm), 2-10 VDC, SSA (95 sec), FLP	3
<b>019127-003</b>	54 in-lbs (6 Nm), 2-10 VDC, HSA (4 sec), FOP/FCP	4
<b>019127-004</b>	70 in-lbs (8 Nm), 2-10 VDC, HSA (4 sec), FLP	5
<b>019127-005</b>	90 in-lbs (10 Nm), 2-10 VDC, SSA (95 sec), FLP	6
<b>019127-006</b>	140 in-lbs (16 Nm), 2-10 VDC, HSA (7 sec), FLP	7
<b>019127-007</b>	54 in-lbs (6 Nm), 2P, HSA (4 sec), FOP/FCP	8
<b>019128-001</b>	45 in-lbs (5 Nm), 2P, SSA (95 sec), FLP	9
<b>019128-002</b>	90 in-lbs (10 Nm), 2P, SSA (95 sec), FLP	10
<b>019128-003</b>	35 in-lbs (4 Nm), 2P, HSA (2.5 sec), FLP	11
<b>019128-004</b>	90 in-lbs (10 Nm), 2P, SSA (75 sec), FOP/FCP	12
<b>019128-005</b>	90 in-lbs (10 Nm), 2-10 VDC, SSA (95 sec), FOP/FCP	13
<b>019128-009</b>	70 in-lbs (8 Nm), 2P, HSA (4 sec), FLP	14
<b>019128-014</b>	22 in-lbs (2.5 Nm), 2-10 VDC, SSA (95 sec), FOP/FCP	15

ACTUATOR - 35 in-lbs (4 Nm), VDC, HSA, FLP

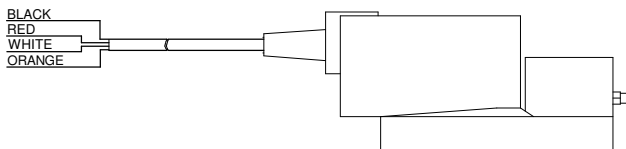
SPECIFICATIONS:	
ENVIRONMENTAL (OPERATING)	-22°F to 122°F (-30°C to 50°C), 5% to 95% R.H.(NON-CONDENSING)
ENVIRONMENTAL (STORAGE)	-40°F to 176°F (-40°C to 80°C), 5% to 95% R.H.(NON-CONDENSING)
INPUT POWER	24 VAC +/- 20%, 50/60 Hz, 23 VA, CLASS 2
CONTROL SIGNAL RANGE	2 to 10 VDC
ANGLE OF ROTATION	MIN 30°, MAX 95°, ADJUSTABLE WITH MECHANICAL STOP ELECTRONICALLY VARIABLE (POWER ADAPTION)
DIRECTION OF ROTATION	REVERSIBLE WITH BUILT-IN SWITCH (FACTORY SET TO 0)
TORQUE	35 in-lb (4 Nm)
MANUAL OVERRIDE	EXTERNAL PUSH BUTTON
RUNNING TIME	2.5 sec
HOUSING	NEMA 2, IP54, UL ENCLOSURE TYPE 2
HOUSING MATERIAL	UL94 -5VA
WEIGHT	1.8 lbs (0.85 kg)
PART # (BELIMO MODEL)	019127-001 (LMOB24-MFT)



**DIMENSIONS:**



**TERMINATION:**

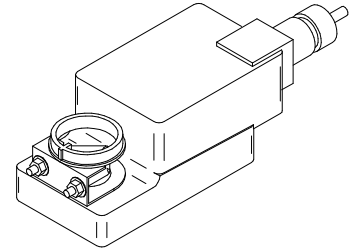


RED	INPUT POWER, HOT
BLACK	INPUT POWER, COMMON
WHITE	CONTROL SIGNAL
ORANGE	NOT USED

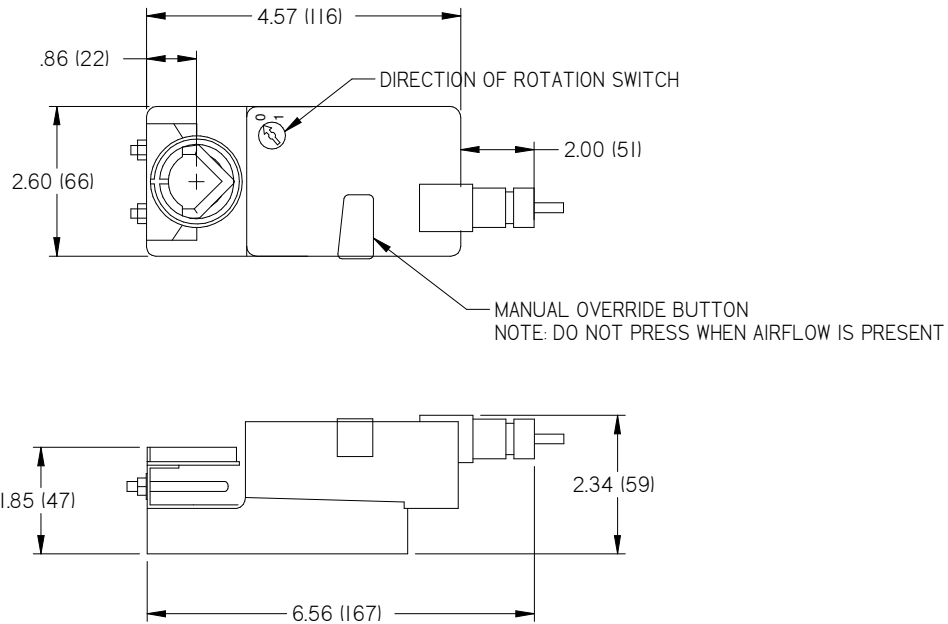
ALL METRIC DIMENSIONS ( ) ARE SOFT CONVERTED. IMPERIAL DIMENSIONS ARE CONVERTED TO METRIC AND ROUNDED TO THE NEAREST MILLIMETER. SPECIFICATIONS ARE SUBJECT TO CHANGE WITHOUT NOTICE.

ACTUATOR - 45 in-lbs (5 Nm), VDC, SSA, FLP

SPECIFICATIONS:	
ENVIRONMENTAL (OPERATING)	-22°F to 122°F (-30°C to 50°C), 5% to 95% R.H.(NON-CONDENSING)
ENVIRONMENTAL (STORAGE)	-40°F to 176°F (-40°C to 80°C), 5% to 95% R.H.(NON-CONDENSING)
INPUT POWER	24 VAC +/- 20%, 50/60 Hz, 3 VA, CLASS 2
CONTROL SIGNAL RANGE	2 to 10 VDC
ANGLE OF ROTATION	MAX 95°, ADJUSTABLE WITH MECHANICAL STOP
DIRECTION OF ROTATION	REVERSIBLE WITH BUILT-IN SWITCH (FACTORY SET TO 0)
TORQUE	45 in-lb (5 Nm)
MANUAL OVERRIDE	EXTERNAL PUSH BUTTON
RUNNING TIME	95 sec
HOUSING	NEMA 2, IP54, UL ENCLOSURE TYPE 2
HOUSING MATERIAL	UL94 -5VA
WEIGHT	1.7 lbs (0.75 kg)
PART # (BELIMO MODEL)	019127-002 (LMB24-SR)



**DIMENSIONS:**



**TERMINATION:**

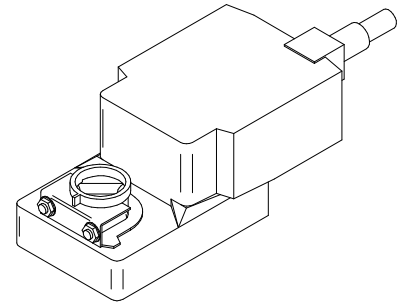


RED	INPUT POWER, HOT
BLACK	INPUT POWER, COMMON
WHITE	CONTROL SIGNAL
ORANGE	NOT USED

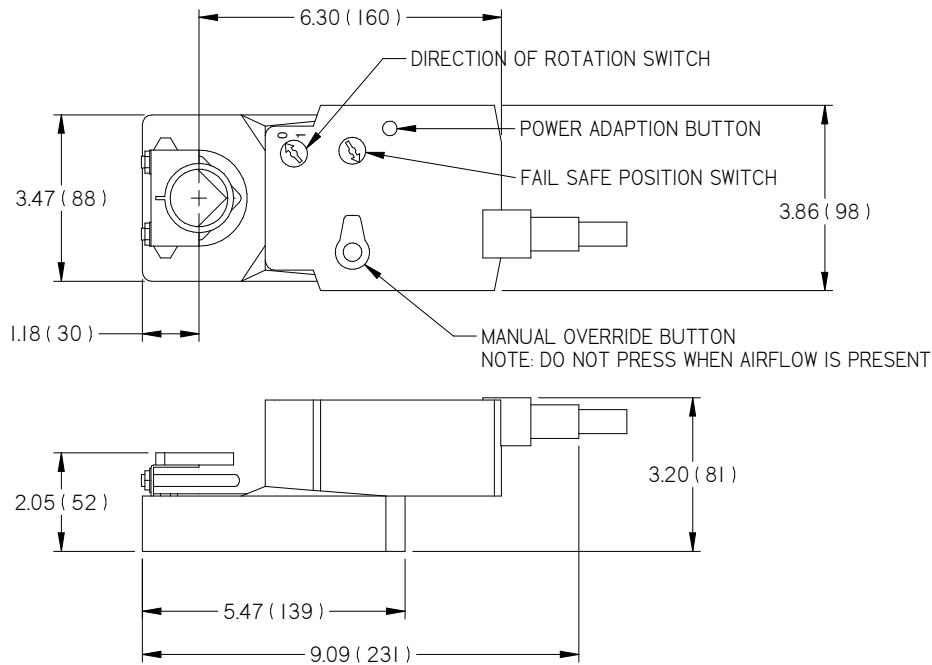
ALL METRIC DIMENSIONS ( ) ARE SOFT CONVERTED. IMPERIAL DIMENSIONS ARE CONVERTED TO METRIC AND ROUNDED TO THE NEAREST MILLIMETER. SPECIFICATIONS ARE SUBJECT TO CHANGE WITHOUT NOTICE.

ACTUATOR - 54 in-lbs (6 Nm), VDC, HSA, FOP/FCP

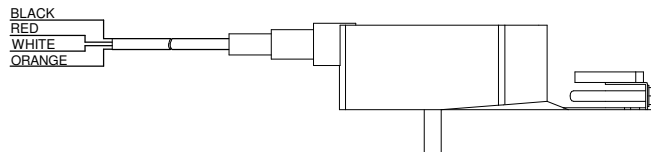
SPECIFICATIONS:	
ENVIRONMENTAL (OPERATING)	-22°F to 122°F (-30°C to 50°C), 5% to 95% R.H.(NON-CONDENSING)
ENVIRONMENTAL (STORAGE)	-40°F to 176°F (-40°C to 80°C), 5% to 95% R.H.(NON-CONDENSING)
INPUT POWER	24 VAC +/- 20%, 50/60 Hz, 22 VA, CLASS 2
CONTROL SIGNAL RANGE	2 to 10 VDC
ANGLE OF ROTATION	MAX 95°, ADJUSTABLE WITH MECHANICAL STOP ELECTRONICALLY VARIABLE (POWER ADAPTION)
DIRECTION OF ROTATION	REVERSIBLE WITH BUILT-IN SWITCH (FACTORY SET TO 0)
FAIL SAFE POSITION	ADJUSTABLE WITH DIAL
TORQUE	54 in-lb (6 Nm)
MANUAL OVERRIDE	EXTERNAL PUSH BUTTON
RUNNING TIME	4 sec
HOUSING	NEMA 2, IP54, UL ENCLOSURE TYPE 2
HOUSING MATERIAL	UL94 -5VA
WEIGHT	2.4 lbs (1.1 kg)
PART # (BELIMO MODEL)	019127-003 (NKQB24-SR)



**DIMENSIONS:**



**TERMINATION:**

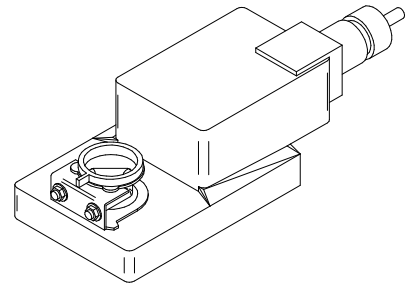


RED	INPUT POWER, HOT
BLACK	INPUT POWER, COMMON
WHITE	CONTROL SIGNAL
ORANGE	NOT USED

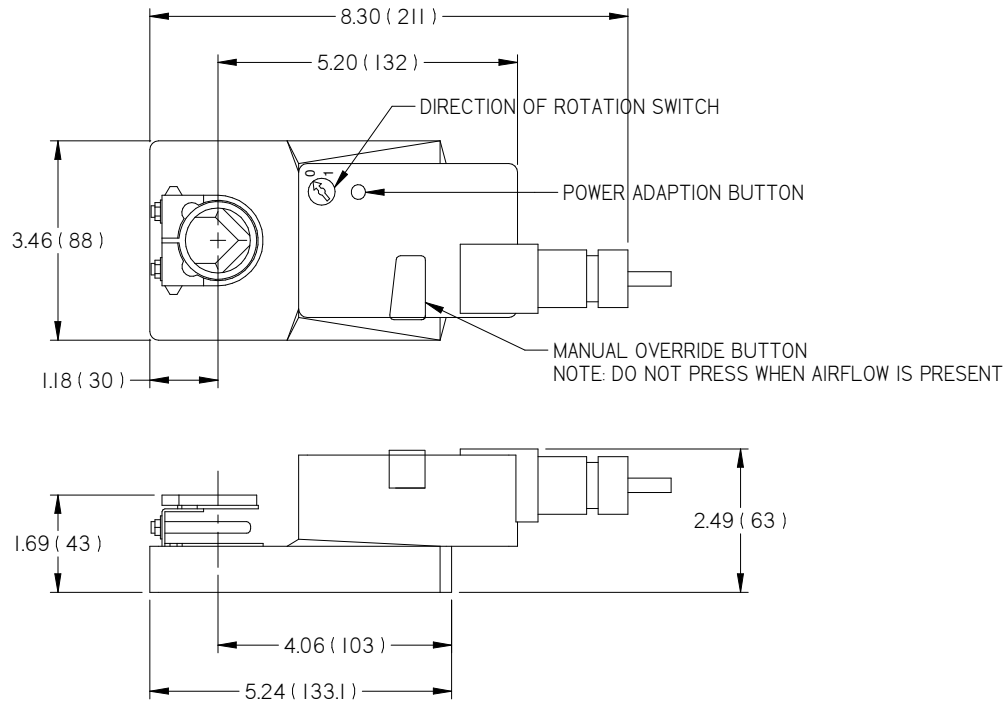
ALL METRIC DIMENSIONS ( ) ARE SOFT CONVERTED. IMPERIAL DIMENSIONS ARE CONVERTED TO METRIC AND ROUNDED TO THE NEAREST MILLIMETER.  
SPECIFICATIONS ARE SUBJECT TO CHANGE WITHOUT NOTICE.

ACTUATOR - 70 in-lbs (8 Nm), VDC, HSA, FLP

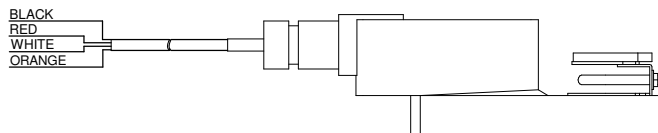
SPECIFICATIONS:	
ENVIRONMENTAL (OPERATING)	-22°F to 122°F (-30°C to 50°C), 5% to 95% R.H.(NON-CONDENSING)
ENVIRONMENTAL (STORAGE)	-40°F to 176°F (-40°C to 80°C), 5% to 95% R.H.(NON-CONDENSING)
INPUT POWER	24 VAC +/- 20%, 50/60 Hz, 23 VA, CLASS 2
CONTROL SIGNAL RANGE	2 to 10 VDC
ANGLE OF ROTATION	MIN 30°, MAX 95°, ADJUSTABLE WITH MECHANICAL STOP ELECTRONICALLY VARIABLE (POWER ADAPTION)
DIRECTION OF ROTATION	REVERSIBLE WITH BUILT-IN SWITCH (FACTORY SET TO 0)
TORQUE	70 in-lbs (8 Nm)
MANUAL OVERRIDE	EXTERNAL PUSH BUTTON
RUNNING TIME	4 sec
HOUSING	NEMA 2, IP54, UL ENCLOSURE TYPE 2
HOUSING MATERIAL	UL94 -5VA
WEIGHT	1.8 lbs (0.85 kg)
PART # (BELIMO MODEL)	019127-004 (NMQB24-MFT)



**DIMENSIONS:**



**TERMINATION:**

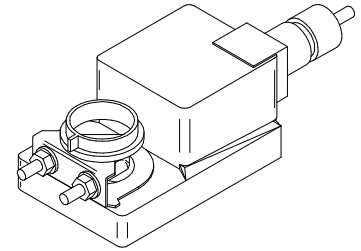


RED	INPUT POWER, HOT
BLACK	INPUT POWER, COMMON
WHITE	CONTROL SIGNAL
ORANGE	NOT USED

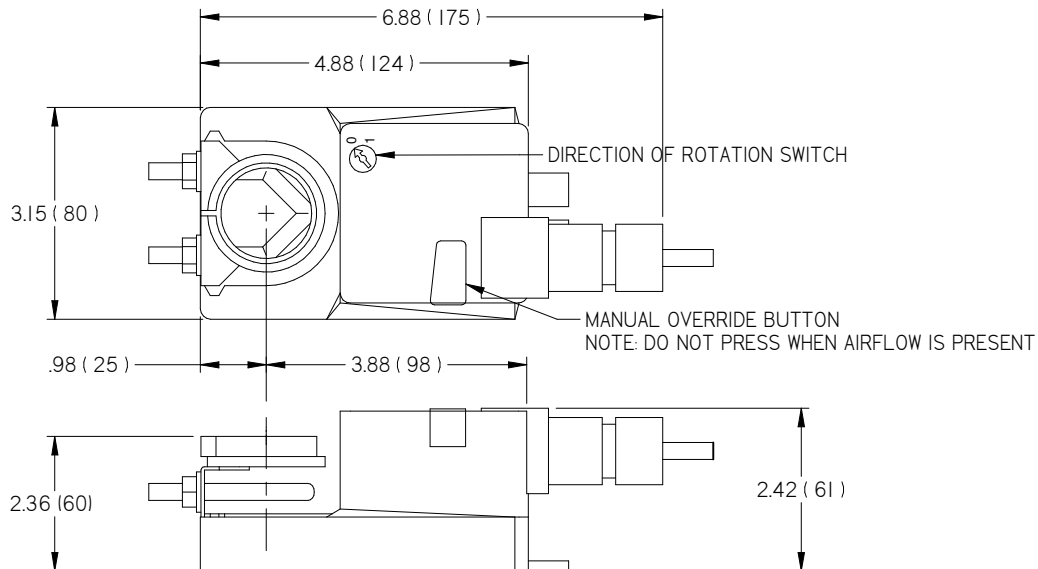
ALL METRIC DIMENSIONS ( ) ARE SOFT CONVERTED. IMPERIAL DIMENSIONS ARE CONVERTED TO METRIC AND ROUNDED TO THE NEAREST MILLIMETER.  
SPECIFICATIONS ARE SUBJECT TO CHANGE WITHOUT NOTICE.

ACTUATOR - 90 in-lbs (10 Nm), VDC, SSA, FLP

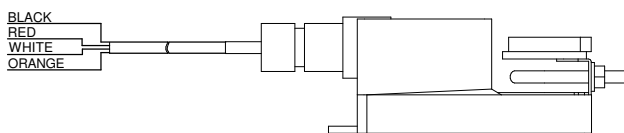
SPECIFICATIONS:	
ENVIRONMENTAL (OPERATING)	-22°F to 122°F (-30°C to 50°C), 5% to 95% R.H.(NON-CONDENSING)
ENVIRONMENTAL (STORAGE)	-40°F to 176°F (-40°C to 80°C), 5% to 95% R.H.(NON-CONDENSING)
INPUT POWER	24 VAC +/- 20%, 50/60 Hz, 5 VA, CLASS 2
CONTROL SIGNAL RANGE	2 to 10 VDC
ANGLE OF ROTATION	MAX 95°, ADJUSTABLE WITH MECHANICAL STOP
DIRECTION OF ROTATION	REVERSIBLE WITH BUILT-IN SWITCH (FACTORY SET TO 0)
TORQUE	90 in-lbs (10 Nm)
MANUAL OVERRIDE	EXTERNAL PUSH BUTTON
RUNNING TIME	95 sec
HOUSING	NEMA 2, IP54, UL ENCLOSURE TYPE 2
HOUSING MATERIAL	UL94 -5VA
WEIGHT	1.7 lbs (0.75 kg)
PART # (BELIMO MODEL)	019127-005 (NMB24-SR)



**DIMENSIONS:**



**TERMINATION:**

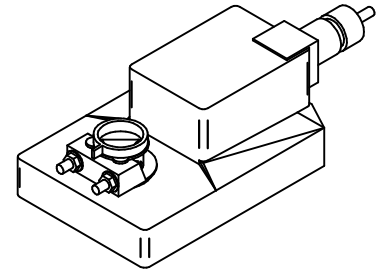


RED	INPUT POWER, HOT
BLACK	INPUT POWER, COMMON
WHITE	CONTROL SIGNAL
ORANGE	NOT USED

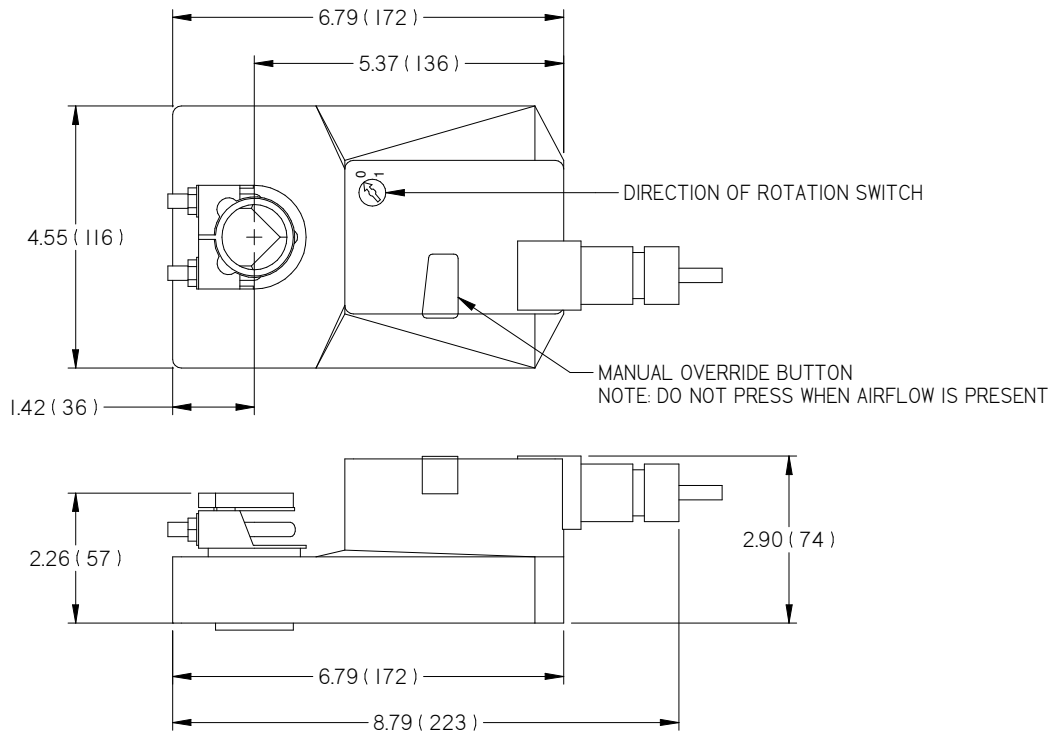
ALL METRIC DIMENSIONS ( ) ARE SOFT CONVERTED. IMPERIAL DIMENSIONS ARE CONVERTED TO METRIC AND ROUNDED TO THE NEAREST MILLIMETER. SPECIFICATIONS ARE SUBJECT TO CHANGE WITHOUT NOTICE.

ACTUATOR - 140 in-lbs (16 Nm), VDC, HSA, FLP

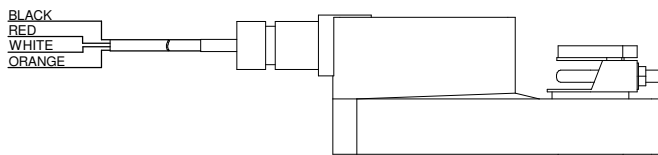
SPECIFICATIONS:	
ENVIRONMENTAL (OPERATING)	-22°F to 122°F (-30°C to 50°C), 5% to 95% R.H.(NON-CONDENSING)
ENVIRONMENTAL (STORAGE)	-40°F to 176°F (-40°C to 80°C), 5% to 95% R.H.(NON-CONDENSING)
INPUT POWER	24 VAC +/- 20%, 50/60 Hz, 26 VA, CLASS 2
CONTROL SIGNAL RANGE	2 to 10 VDC
ANGLE OF ROTATION	MIN 30°, MAX 95°, ADJUSTABLE WITH MECHANICAL STOP ELECTRONICALLY VARIABLE (POWER ADAPTION)
DIRECTION OF ROTATION	REVERSIBLE WITH BUILT-IN SWITCH (FACTORY SET TO 0)
TORQUE	140 in-lbs (16 Nm)
MANUAL OVERRIDE	EXTERNAL PUSH BUTTON
RUNNING TIME	7 sec
HOUSING	NEMA 2, IP54, UL ENCLOSURE TYPE 2
HOUSING MATERIAL	UL94 -5VA
WEIGHT	3.75 lbs (1.7 kg)
PART # (BELIMO MODEL)	019127-006 (AMQB24-MFT)



**DIMENSIONS:**



**TERMINATION:**

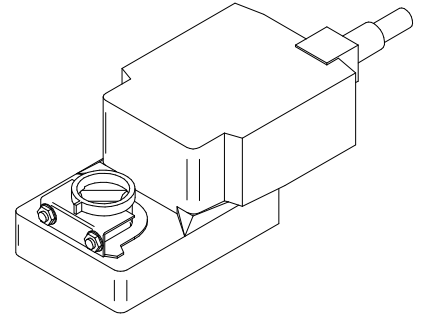


RED	INPUT POWER, HOT
BLACK	INPUT POWER, COMMON
WHITE	CONTROL SIGNAL
ORANGE	NOT USED

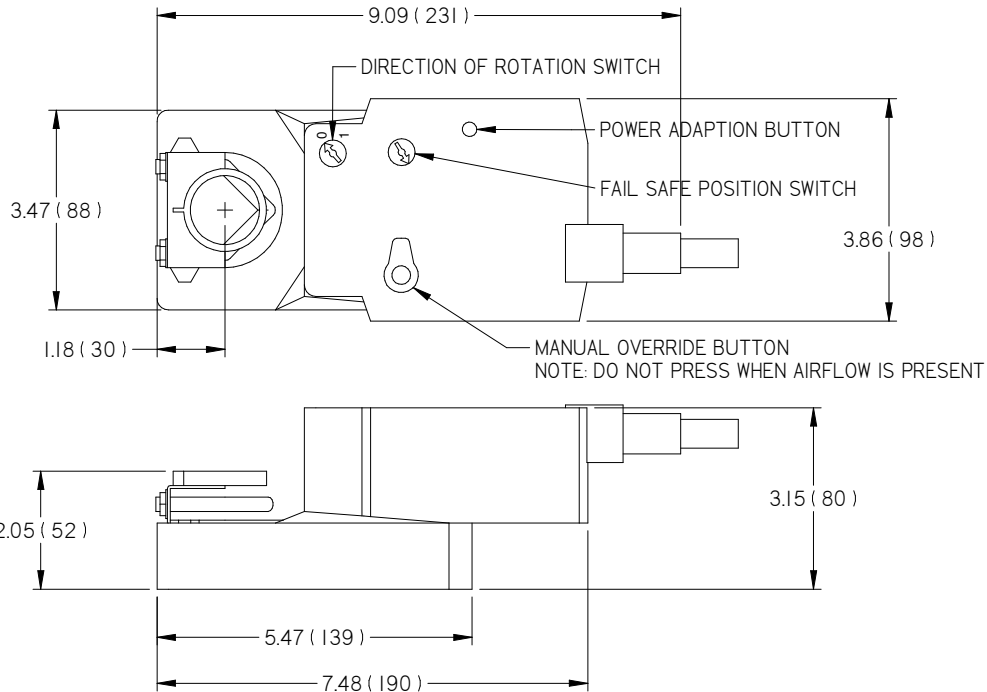
ALL METRIC DIMENSIONS ( ) ARE SOFT CONVERTED. IMPERIAL DIMENSIONS ARE CONVERTED TO METRIC AND ROUNDED TO THE NEAREST MILLIMETER.  
SPECIFICATIONS ARE SUBJECT TO CHANGE WITHOUT NOTICE.

ACTUATOR - 54 in-lbs (6 Nm), 2P, HSA, FOP/FCP

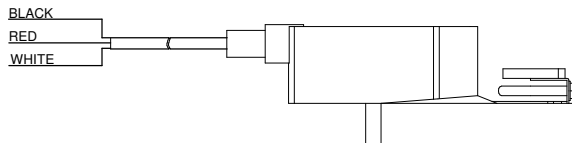
SPECIFICATIONS:	
ENVIRONMENTAL (OPERATING)	-22°F to 122°F (-30°C to 50°C), 5% to 95% R.H.(NON-CONDENSING)
ENVIRONMENTAL (STORAGE)	-40°F to 176°F (-40°C to 80°C), 5% to 95% R.H.(NON-CONDENSING)
INPUT POWER	24 VAC +/- 20%, 50/60 Hz, 22 VA, CLASS 2
CONTROL SIGNAL	ON/OFF
ANGLE OF ROTATION	MAX 95°, ADJUSTABLE WITH MECHANICAL STOP ELECTRONICALLY VARIABLE (POWER ADAPTION)
DIRECTION OF ROTATION	REVERSIBLE WITH BUILT-IN SWITCH (FACTORY SET TO 0)
FAIL SAFE POSITION	ADJUSTABLE WITH DIAL
FAIL SAFE TYPE	ELECTRONIC
TORQUE	54 in-lbs (6 Nm)
MANUAL OVERRIDE	EXTERNAL PUSH BUTTON
RUNNING TIME	4 sec
HOUSING	NEMA 2, IP54, UL ENCLOSURE TYPE 2
HOUSING MATERIAL	UL94 -5VA
WEIGHT	2.4 lbs (1.10 kg)
PART # (BELIMO MODEL)	019127-007 (NKQB24-1)



**DIMENSIONS:**



**TERMINATION:**



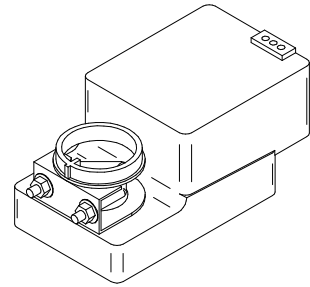
RED	INPUT POWER, HOT
BLACK	INPUT POWER, COMMON
WHITE	ON / OFF, 24 VAC

ALL METRIC DIMENSIONS ( ) ARE SOFT CONVERTED. IMPERIAL DIMENSIONS ARE CONVERTED TO METRIC AND ROUNDED TO THE NEAREST MILLIMETER.  
SPECIFICATIONS ARE SUBJECT TO CHANGE WITHOUT NOTICE.

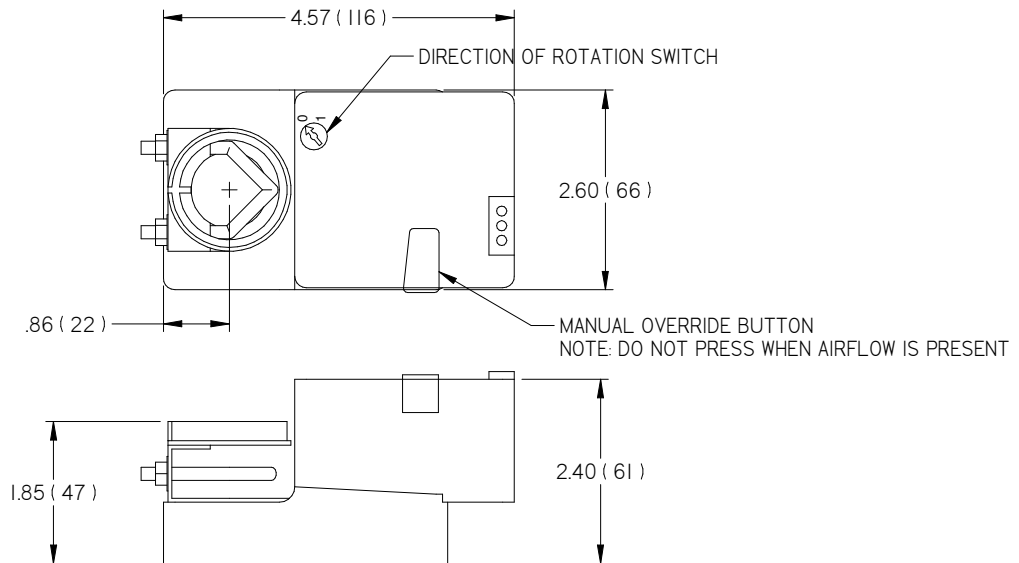


ACTUATOR - 45 in-lbs (5 Nm), 2P, SSA, FLP

SPECIFICATIONS:	
ENVIRONMENTAL (OPERATING)	-22°F to 122°F (-30°C to 50°C), 5% to 95% R.H.(NON-CONDENSING)
ENVIRONMENTAL (STORAGE)	-40°F to 176°F (-40°C to 80°C), 5% to 95% R.H.(NON-CONDENSING)
INPUT POWER	24 VAC +/- 20%, 50/60 Hz, 2.5 VA, CLASS 2
CONTROL SIGNAL	ON/OFF
ANGLE OF ROTATION	MAX 95°, ADJUSTABLE WITH MECHANICAL STOP
DIRECTION OF ROTATION	REVERSIBLE WITH BUILT-IN SWITCH (FACTORY SET TO 0)
TORQUE	45 in-lbs (5 Nm)
MANUAL OVERRIDE	EXTERNAL PUSH BUTTON
RUNNING TIME	95 sec
HOUSING	NEMA 2, IP54, UL ENCLOSURE TYPE 2
HOUSING MATERIAL	UL94 -5VA
WEIGHT	1.1 lbs (0.5 kg)
PART # (BELIMO MODEL)	019128-001 (LMB24-3-T)

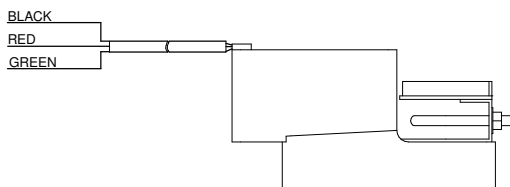


**DIMENSIONS:**



**TERMINATION:**

NOTE: FACTORY WIRING SHOWN.  
(WIRE NOT INCLUDED IF SHIPPED LOOSE)

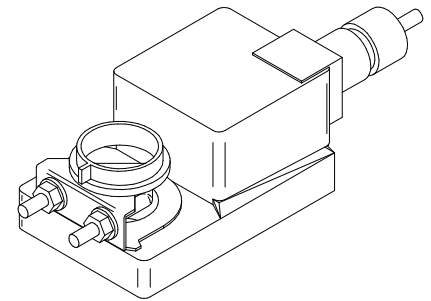


BLACK	INPUT POWER, COMMON	1
RED	INPUT POWER, HOT	2
GREEN	ON / OFF, 24 VAC	3

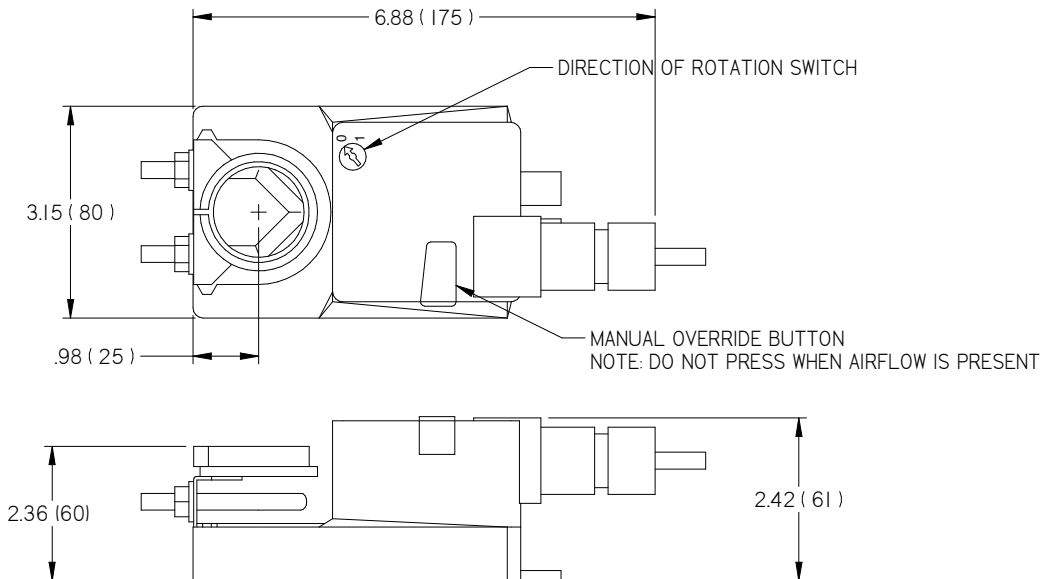
ALL METRIC DIMENSIONS ( ) ARE SOFT CONVERTED. IMPERIAL DIMENSIONS ARE CONVERTED TO METRIC AND ROUNDED TO THE NEAREST MILLIMETER.  
SPECIFICATIONS ARE SUBJECT TO CHANGE WITHOUT NOTICE.

ACTUATOR - 90 in-lbs (10 Nm), 2P, SSA, FLP

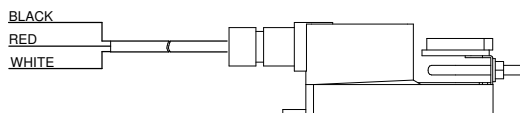
SPECIFICATIONS:	
ENVIRONMENTAL (OPERATING)	-22°F to 122°F (-30°C to 50°C), 5% to 95% R.H.(NON-CONDENSING)
ENVIRONMENTAL (STORAGE)	-40°F to 176°F (-40°C to 80°C), 5% to 95% R.H.(NON-CONDENSING)
INPUT POWER	24 VAC +/- 20%, 50/60 Hz, 4 VA, CLASS 2
CONTROL SIGNAL	ON/OFF
ANGLE OF ROTATION	MAX 95°, ADJUSTABLE WITH MECHANICAL STOP
DIRECTION OF ROTATION	REVERSIBLE WITH BUILT-IN SWITCH (FACTORY SET TO 0)
TORQUE	90 in-lbs (10 Nm)
MANUAL OVERRIDE	EXTERNAL PUSH BUTTON
RUNNING TIME	95 sec
HOUSING	NEMA 2, IP54, UL ENCLOSURE TYPE 2
HOUSING MATERIAL	UL94 -5VA
WEIGHT	1.7 lbs (0.75 kg)
PART # (BELIMO MODEL)	019128-002 (NMB24-3)



**DIMENSIONS:**



**TERMINATION:**

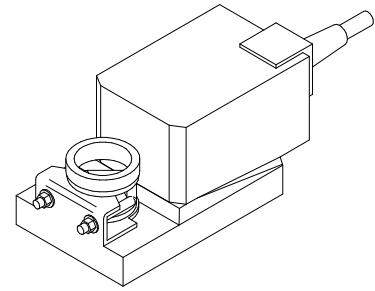


RED	INPUT POWER, HOT
BLACK	INPUT POWER, COMMON
WHITE	ON / OFF, 24 VAC

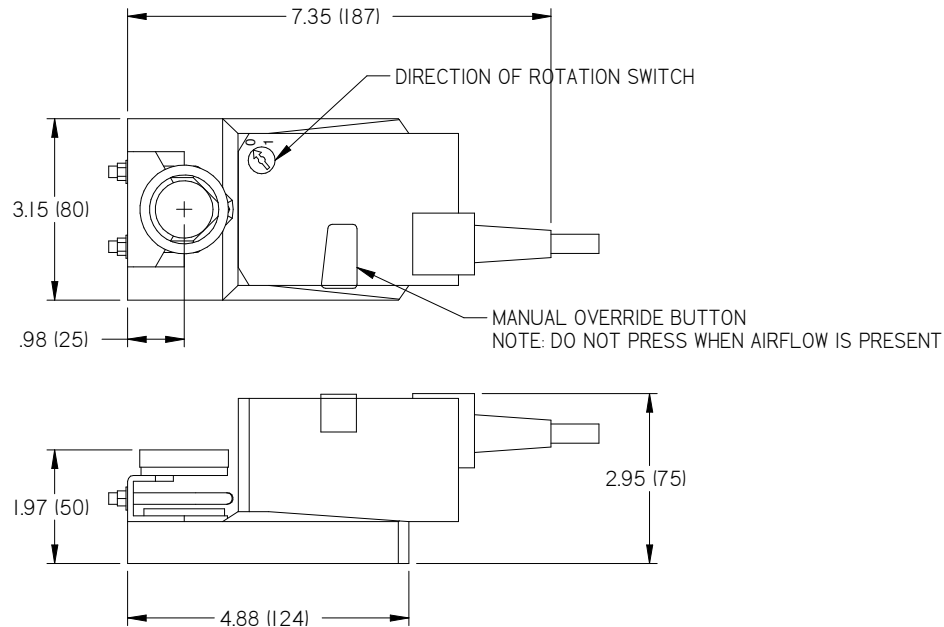
ALL METRIC DIMENSIONS ( ) ARE SOFT CONVERTED. IMPERIAL DIMENSIONS ARE CONVERTED TO METRIC AND ROUNDED TO THE NEAREST MILLIMETER. SPECIFICATIONS ARE SUBJECT TO CHANGE WITHOUT NOTICE.

ACTUATOR - 35 in-lbs (4 Nm), 2P, HSA, FLP

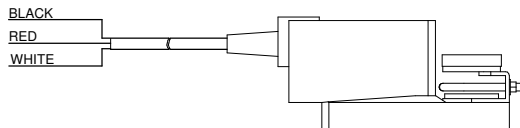
SPECIFICATIONS:	
ENVIRONMENTAL (OPERATING)	-22°F to 122°F (-30°C to 50°C), 5% to 95% R.H.(NON-CONDENSING)
ENVIRONMENTAL (STORAGE)	-40°F to 176°F (-40°C to 80°C), 5% to 95% R.H.(NON-CONDENSING)
INPUT POWER	24 VAC +/- 20%, 50/60 Hz, 23 VA, CLASS 2
CONTROL SIGNAL	ON/OFF
ANGLE OF ROTATION	MIN 30°, MAX 95°, ADJUSTABLE WITH MECHANICAL STOP ELECTRONICALLY VARIABLE (POWER ADAPTION)
DIRECTION OF ROTATION	REVERSIBLE WITH BUILT-IN SWITCH (FACTORY SET TO 0)
TORQUE	35 in-lb (4 Nm)
MANUAL OVERRIDE	EXTERNAL PUSH BUTTON
RUNNING TIME	2.5 sec
HOUSING	NEMA 2, IP54, UL ENCLOSURE TYPE 2
HOUSING MATERIAL	UL94 -5VA
WEIGHT	1.8 lbs (0.85 kg)
PART # (BELIMO MODEL)	019128-003 (LMQB24-1)



**DIMENSIONS:**



**TERMINATION:**

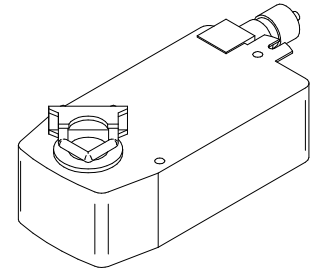


RED	INPUT POWER, HOT
BLACK	INPUT POWER, COMMON
WHITE	ON / OFF, 24 VAC

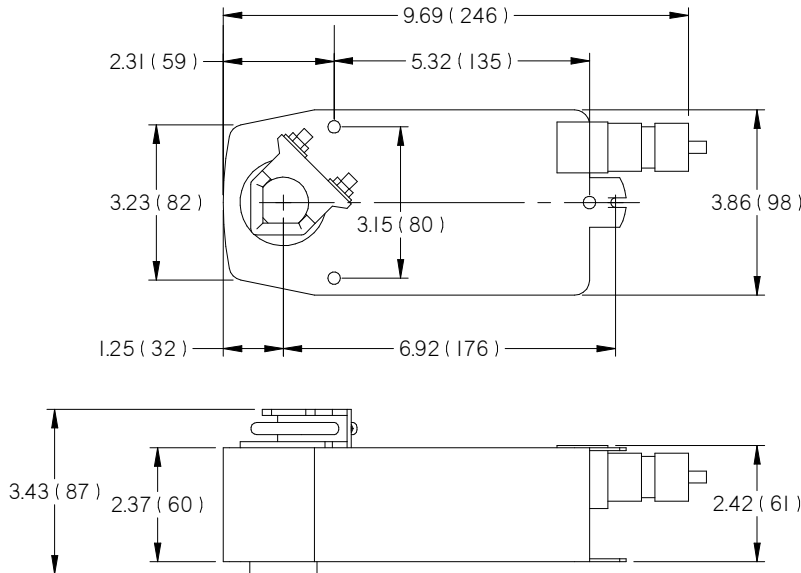
ALL METRIC DIMENSIONS ( ) ARE SOFT CONVERTED. IMPERIAL DIMENSIONS ARE CONVERTED TO METRIC AND ROUNDED TO THE NEAREST MILLIMETER.  
SPECIFICATIONS ARE SUBJECT TO CHANGE WITHOUT NOTICE.

ACTUATOR - 90 in-lbs (10 Nm), 2P, SSA, FOP/FCP

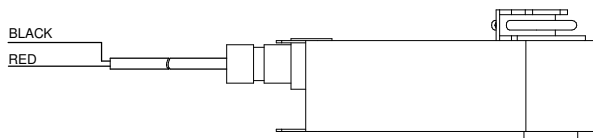
SPECIFICATIONS:	
ENVIRONMENTAL (OPERATING)	-22°F to 122°F (-30°C to 50°C), 5% to 95% R.H.(NON-CONDENSING)
ENVIRONMENTAL (STORAGE)	-40°F to 176°F (-40°C to 80°C), 5% to 95% R.H.(NON-CONDENSING)
INPUT POWER	24 VAC +/- 20%, 50/60 Hz, 8.5 VA, CLASS 2
CONTROL SIGNAL RANGE	ON/OFF
ANGLE OF ROTATION	MAX 95°, ADJUSTABLE WITH MECHANICAL STOP
DIRECTION OF ROTATION	REVERSIBLE WITH CW / CCW MOUNTING
FAIL SAFE POSITION	REVERSIBLE WITH CW / CCW MOUNTING
FAIL SAFE TYPE	SPRING RETURN
TORQUE	90 in-lbs (10 Nm)
MANUAL OVERRIDE	5 mm HEX CRANK (SUPPLIED)
RUNNING TIME	75 sec
HOUSING	NEMA 2, IP54, UL ENCLOSURE TYPE 2
HOUSING MATERIAL	ZINC COATED METAL AND PLASTIC CASING
WEIGHT	4.2 lbs (1.90 kg)
PART # (BELIMO MODEL)	019128-004 (NFB24)



**DIMENSIONS:**



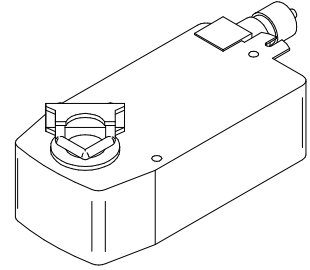
**TERMINATION:**



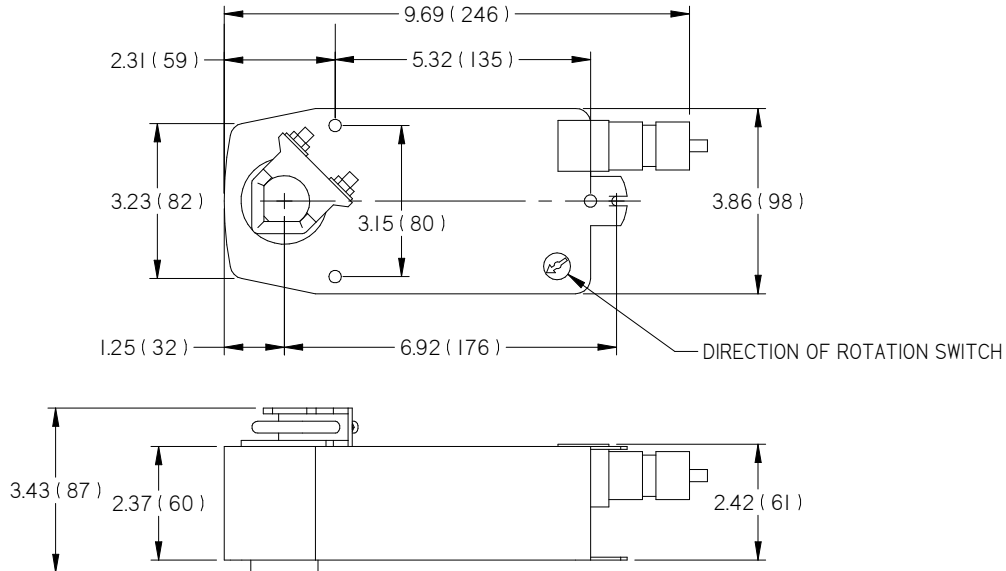
BLACK	INPUT POWER, HOT
RED	INPUT POWER, HOT, ON / OFF

ACTUATOR - 90 in-lbs (10 Nm), VDC, SSA, FOP/FCP

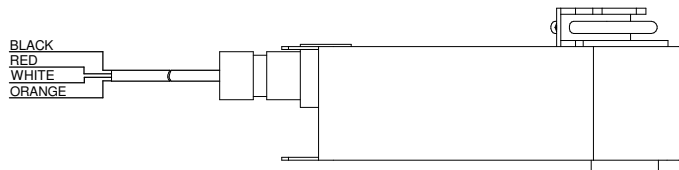
SPECIFICATIONS:	
ENVIRONMENTAL (OPERATING)	-22°F to 122°F (-30°C to 50°C), 5% to 95% R.H.(NON-CONDENSING)
ENVIRONMENTAL (STORAGE)	-40°F to 176°F (-40°C to 80°C), 5% to 95% R.H.(NON-CONDENSING)
INPUT POWER	24 VAC +/- 20%, 50/60 Hz, 6 VA, CLASS 2
CONTROL SIGNAL RANGE	2 to 10 VDC
ANGLE OF ROTATION	MAX 95°, ADJUSTABLE WITH MECHANICAL STOP
DIRECTION OF ROTATION	REVERSIBLE WITH BUILT-IN SWITCH (FACTORY SET TO CCW)
FAIL SAFE POSITION	REVERSIBLE WITH CW / CCW MOUNTING
FAIL SAFE TYPE	SPRING RETURN
TORQUE	90 in-lbs (10 Nm)
MANUAL OVERRIDE	5 mm HEX CRANK (SUPPLIED)
RUNNING TIME	95 sec
HOUSING	NEMA 2, IP54, UL ENCLOSURE TYPE 2
HOUSING MATERIAL	ZINC COATED METAL AND PLASTIC CASING
WEIGHT	4.2 lbs (1.90 kg)
PART # (BELIMO MODEL)	019128-005 (NFB24-SR)



**DIMENSIONS:**



**TERMINATION:**

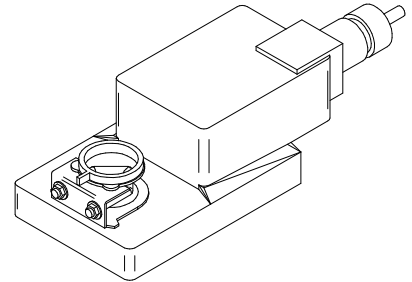


RED	INPUT POWER, HOT
BLACK	INPUT POWER, COMMON
WHITE	CONTROL SIGNAL
ORANGE	NOT USED

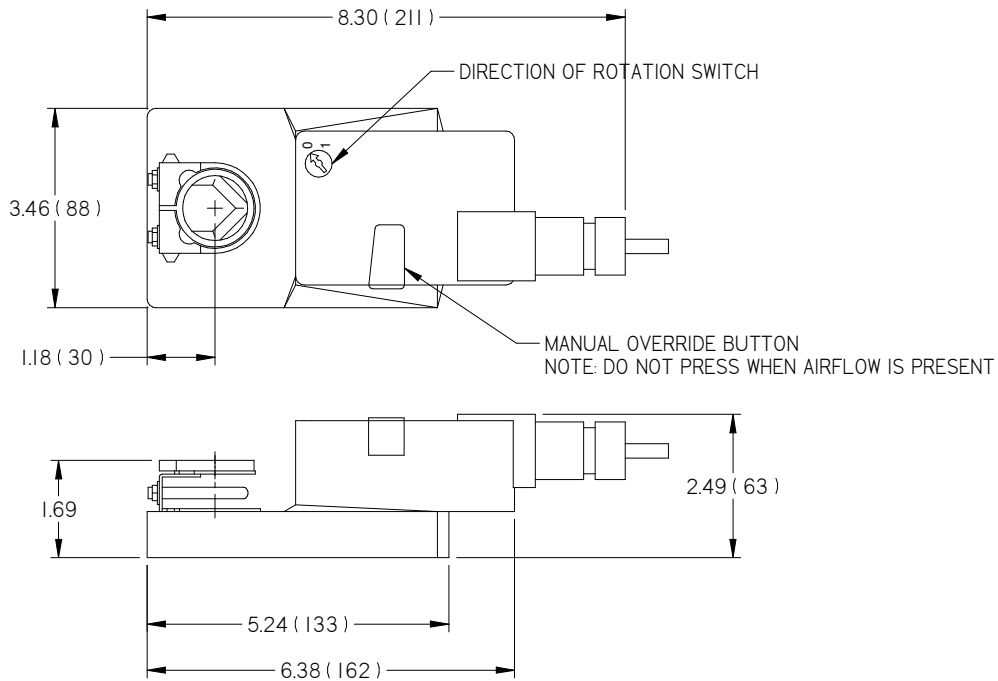
ALL METRIC DIMENSIONS ( ) ARE SOFT CONVERTED. IMPERIAL DIMENSIONS ARE CONVERTED TO METRIC AND ROUNDED TO THE NEAREST MILLIMETER. SPECIFICATIONS ARE SUBJECT TO CHANGE WITHOUT NOTICE.

ACTUATOR - 70 in-lbs (8 Nm), 2P, HSA, FLP

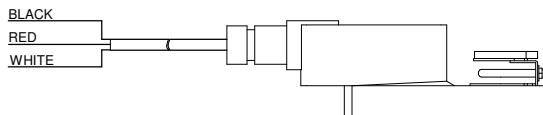
SPECIFICATIONS:	
ENVIRONMENTAL (OPERATING)	-22°F to 122°F (-30°C to 50°C), 5% to 95% R.H.(NON-CONDENSING)
ENVIRONMENTAL (STORAGE)	-40°F to 176°F (-40°C to 80°C), 5% to 95% R.H.(NON-CONDENSING)
INPUT POWER	24 VAC +/- 20%, 50/60 Hz, 23 VA, CLASS 2
CONTROL SIGNAL	ON/OFF
ANGLE OF ROTATION	MIN 30°, MAX 95°, ADJUSTABLE WITH MECHANICAL STOP
DIRECTION OF ROTATION	REVERSIBLE WITH SWITCH (FACTORY SET TO 0)
TORQUE	70 in-lbs (8 Nm)
MANUAL OVERRIDE	EXTERNAL PUSH BUTTON
RUNNING TIME	4 sec
HOUSING	NEMA 2, IP54, UL ENCLOSURE TYPE 2
HOUSING MATERIAL	UL94 -5VA
WEIGHT	2.0 lbs (0.9 kg)
PART # (BELIMO MODEL)	019128-009 (NMQB24-1)



**DIMENSIONS:**



**TERMINATION:**

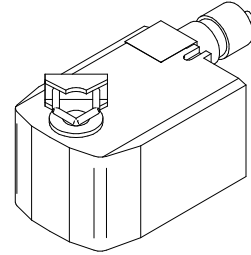


RED	INPUT POWER, HOT
BLACK	INPUT POWER, COMMON
WHITE	ON / OFF, 24 VAC

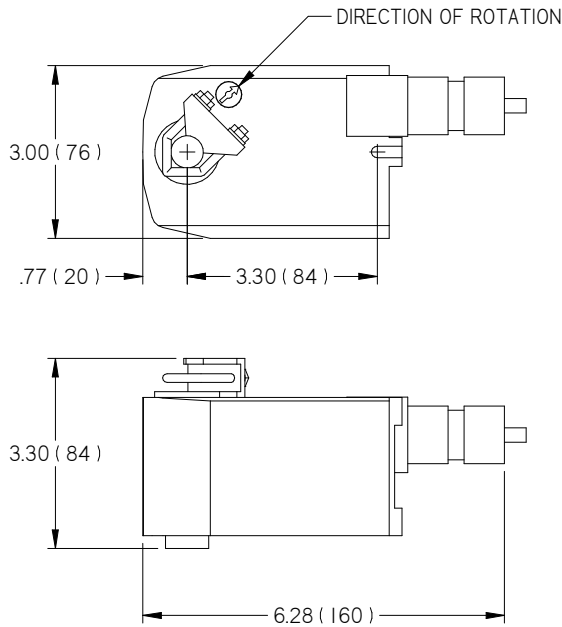
ALL METRIC DIMENSIONS ( ) ARE SOFT CONVERTED. IMPERIAL DIMENSIONS ARE CONVERTED TO METRIC AND ROUNDED TO THE NEAREST MILLIMETER. SPECIFICATIONS ARE SUBJECT TO CHANGE WITHOUT NOTICE.

ACTUATOR - 22 in-lbs (2.5 Nm), VDC, SSA, FOP/FCP

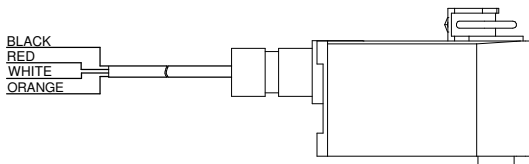
SPECIFICATIONS:	
ENVIRONMENTAL (OPERATING)	-22°F to 122°F (-30°C to 50°C), 5% to 95% R.H.(NON-CONDENSING)
ENVIRONMENTAL (STORAGE)	-40°F to 176°F (-40°C to 80°C), 5% to 95% R.H.(NON-CONDENSING)
INPUT POWER	24 VAC +/- 20%, 50/60 Hz, 4 VA, CLASS 2
CONTROL SIGNAL RANGE	2 to 10 VDC
ANGLE OF ROTATION	MAX 95°, ADJUSTABLE WITH MECHANICAL STOP
DIRECTION OF ROTATION	REVERSIBLE WITH BUILT-IN SWITCH (FACTORY SET TO CW)
FAIL SAFE POSITION	REVERSIBLE WITH CW / CCW MOUNTING
FAIL SAFE TYPE	SPRING RETURN
TORQUE	22 in-lbs (2.5 Nm)
RUNNING TIME	95 sec
HOUSING	NEMA 2, IP54, UL ENCLOSURE TYPE 2
HOUSING MATERIAL	UL94 -5VA
WEIGHT	1.4 lbs (0.6 kg)
PART # (BELIMO MODEL)	019128-014 (TFB24-SR)



**DIMENSIONS:**



**TERMINATION:**



RED	INPUT POWER, HOT
BLACK	INPUT POWER, COMMON
WHITE	CONTROL SIGNAL
ORANGE	NOT USED

ALL METRIC DIMENSIONS ( ) ARE SOFT CONVERTED. IMPERIAL DIMENSIONS ARE CONVERTED TO METRIC AND ROUNDED TO THE NEAREST MILLIMETER. SPECIFICATIONS ARE SUBJECT TO CHANGE WITHOUT NOTICE.